





# Duplo-Dinamico

-  Safety cages available for low ceilings.
-  Suitable for Damp Location
-  Compatible with Downrod Light Canopy
-  U.S.A. Components and Labor

shown in Bronze with wood blades



shown in Polished Chrome with metal blades and decorative cage



Few designs can match the timeless and sophisticated aesthetic of the Duplo-Dinamico rotational ceiling fan. Other manufacturers have tried to reproduce this unique design, though all have proven to be of lesser quality and durability. The motor heads can be infinitely positioned in 180-degree arcs for optimum air movement; the greater the angles of the motors to the horizontal support rods (up or down), the faster the axial rotation. A slow, controlled axial rotation is achieved by both motor head position and fan blade speed. The Duplo is available in these standard finishes: polished chrome, brushed nickel, polished copper, bronze or black. White, brushed copper, polished brass, brushed brass, black nickel and bronzette are available as special orders. Bronzette, incidentally, is our monochromatic powder-coated bronze finish.

- Matthews rotational fans circulate heat and air conditioning more efficiently than traditional paddle fans.
- Constructed of cast aluminum, heavy spun and stamped steel, the Duplo carries a limited lifetime warranty.
- Each unique motor mount and fan head knob is made of genuine marbled Bakelite.
- The Duplo is available with the following blade options:
  - metal blades with decorative metal blade guards
  - solid, ecologically harvested mahogany blades without blade guards
  - metal blades with metal safety cages for use in low ceiling applications (7 ft in US / 8.2 ft in Canada)

### Standard Finishes



### Special Order Finishes

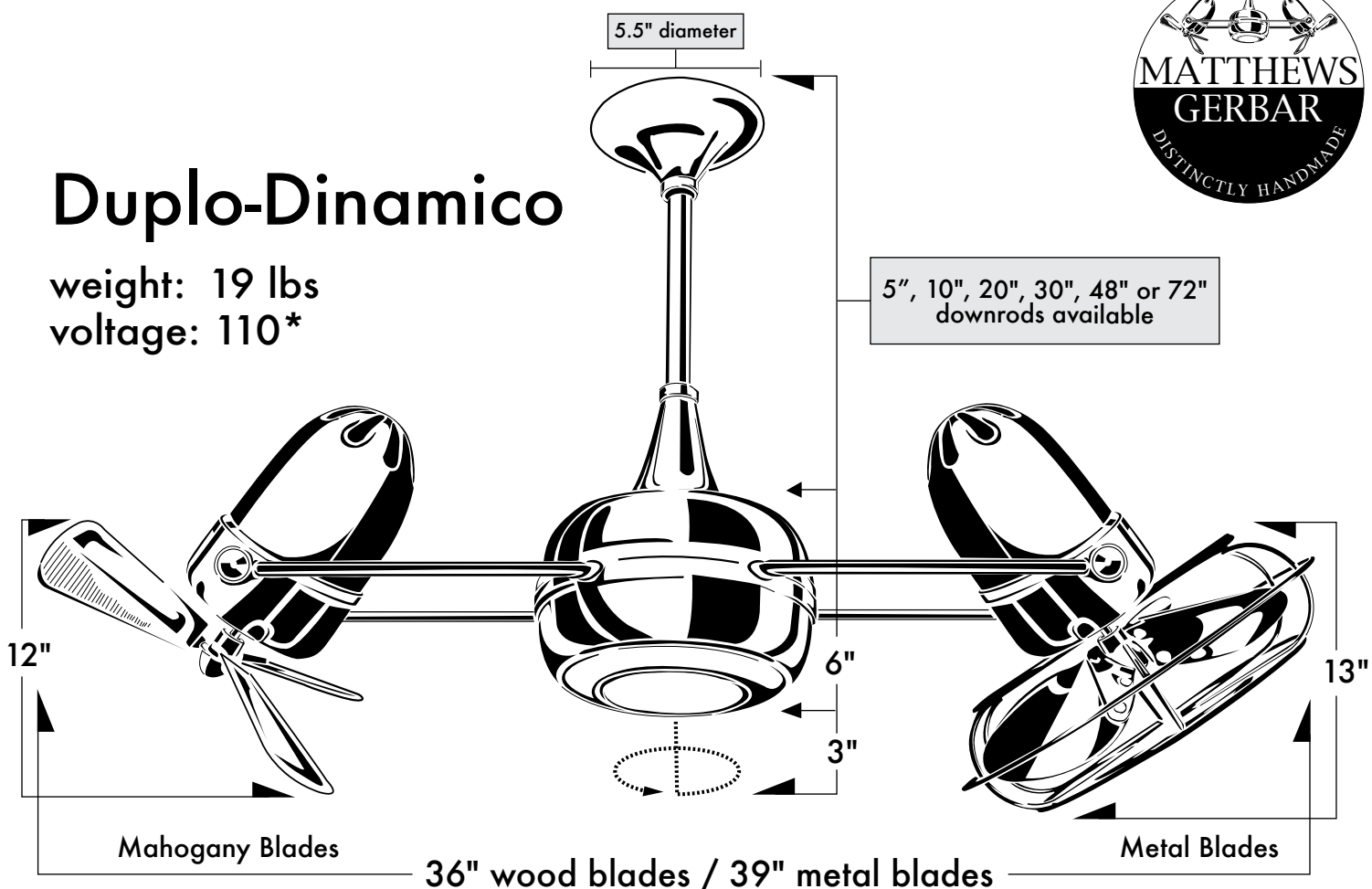


# MATTHEWS



## Duplo-Dinamico

weight: 19 lbs  
voltage: 110\*



Mahogany Blades

36" wood blades / 39" metal blades

Metal Blades

*Increasing Angles of Fan Heads to Support Poles Increases Speed of Axial Rotation  
Optimum Fan Head Position is 60°*

The Duplo can be mounted with any one of the following downrod lengths: 5, 10, 20, 30, 48 or 72".  
• The downrods can be easily field cut; they are not threaded.

The Duplo-Dinamico is compatible with flat or vaulted ceiling canopies.

All fans best regulated by variable speed wall controls.

Metal bladed fans with protective powder or clear coatings are suitable for Damp Location.

Safety cages available for low ceiling applications.

\*Please contact us for possible 220V conversions.



Damp Location