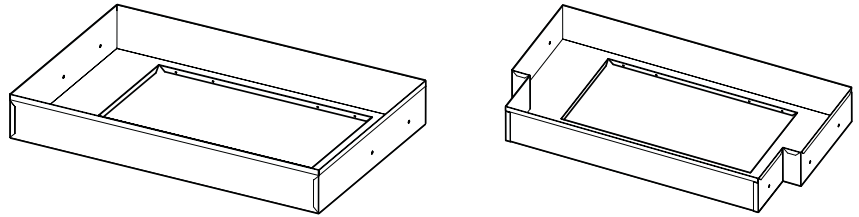


### LB30, LB36, LT30 & LT36 LINERS



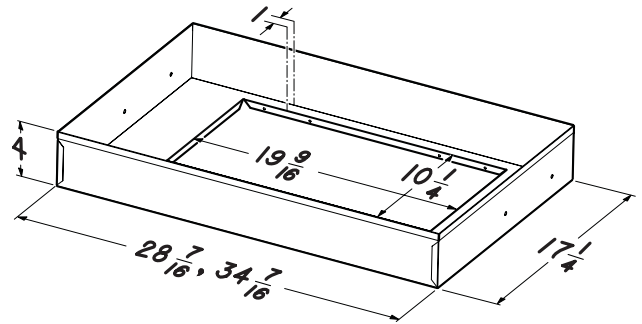
Especially designed to protect the exterior base of a custom hood. Fits PM250 & PM390 inserts.

#### FEATURES

- Cabinet mount – custom application
- 24 gauge CRS
- Painted silver finish
- Fits into cabinet openings as shown
- Fits custom hood nominal widths: 30" & 36"
- Wipes clean easily
- Recommended for use with Models PM250 & PM390 Power Modules

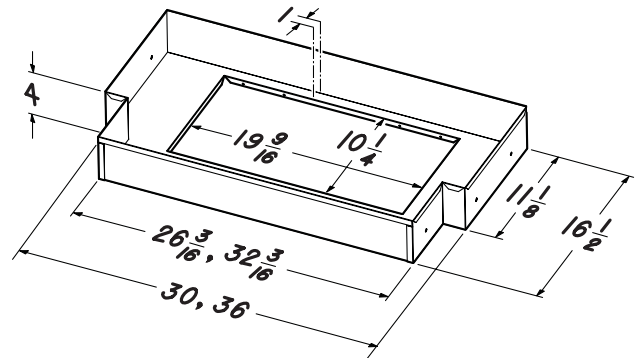
#### Models LB30 & LB36

The "B" or Box liner is designed to fit into 18" deep wood hood or cabinet bottoms.



#### Models LT30 & LT36

The "T" or liner is designed to work with wood hoods that are integrated to the adjacent 12" deep cabinets.



REFERENCE	QTY.	REMARKS	Project	
an <i>EefaCo.</i> Store 1-877-275-9111			Location	
			Architect	
			Engineer	
			Contractor	
			Submitted by	Date