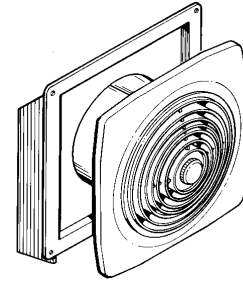




MODELS 508, 509 & 509S WALL FANS



Efficient ventilation for a variety of applications.

FEATURES

GRILLE:

- Contemporary styled grille complements modern decor
- White polymeric grille can be painted to match any decor
- Aluminum filter available – purchase separately

MOTOR:

- Permanently lubricated, thermally protected, plug-in motor
- Motor assembly offers fast, easy "twist-lock" installation
- Specially designed polymeric fan blade

HOUSING:

- Housing adjusts to fit walls from 4½" to 9½" thick
- Rugged steel housing with modern profile on outer weather hood
- Long-lasting electrically-bonded epoxy coating can be painted to match outdoor styling
- Built-in backdraft damper
- Built-in rotary switch on Model 509S – no wall switch to wire

SPECIFICATIONS

MODEL	VOLTS	AMPS	RPM	SONES	CFM	DUCT
508	120	1.7	1625	6.0	270	10" Rd.
509	120	1.5	1925	6.5	180	8" Rd.
509S	120	1.5	1925	6.5	180	8" Rd.

TYPICAL SPECIFICATION

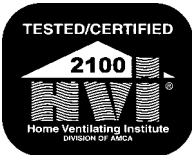
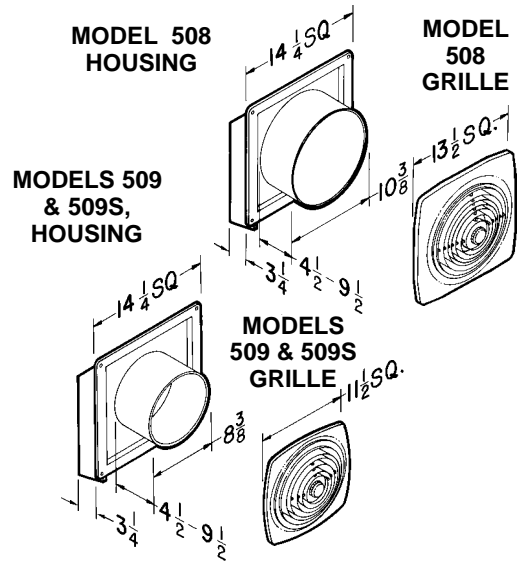
Ventilator shall be Broan Model 508 (Model 509) (Model 509S).

Ventilator shall duct directly through an outside wall from 4½" to 9½" thick. Models 508 & 509 shall be controlled with a separate on-off switch or speed control. Model 509S shall be controlled with a built-in on-off switch.

Ventilator shall be steel housing finished with electrically-bonded epoxy paint. Grille to be white polymeric.

Motor assembly shall be removable and permanently lubricated.

Air delivery shall be no less than 270 CFM and sound levels no greater than 6.0 Sones (Model 508), 180 CFM and 6.5 Sones (Models 509, 509S). All air and sound ratings shall be certified by HVI. Units shall be U.L. listed.



HVI-2100 CERTIFIED RATINGS comply with new testing technologies and procedures prescribed by the Home Ventilating Institute, for off-the-shelf products, as they are available to consumers. Product performance is rated at 0.1 in. static pressure, based on tests conducted in AMCA's state-of-the-art test laboratory. Sones are a measure of humanly-perceived loudness, based on laboratory measurements.



Broan-NuTone LLC, 926 West State Street, Hartford, WI 53027 (1-800-637-1453)

REFERENCE	QTY.	REMARKS	Project	
			Location	
			Architect	
			Engineer	
			Contractor	
			Submitted by	Date