

**Airpura**   
**AIR PURIFIERS**

**UV600**  
Microorganisms

***3 Levels of Protection  
from Airborne Chemicals, Particles  
and Micro-organisms***

**The UV600 offers complete air filtration**

Effective against bacteria, antigens, pathogens and mold spores as well as airborne chemicals and particles

**The UV germicidal lamp sterilizes bacteria, viruses and mold spores** by destroying the DNA of the micro-organisms as they are trapped on the filters

**18lbs of Activated carbon adsorbs harmful airborne chemicals and odors**

True HEPA filter traps 99.97% of particles as small as 0.3 microns

**Effective for up to 2000 square feet**

Changes the air approximately every 30 minutes

**Excellent choice for:**

- Basements
- Mold infestations
- People with low immune resistance
- Isolation rooms
- Clinics
- Doctors offices
- Dental offices
- Hospital rooms
- Embalming facilities



***The Airpura UV600***

Colors: White / Black / Cream

**The Airpura Limited Warranty**

5 years parts 10 years labor

**Long Lasting Filters**

**Carbon filters** typically last up to 2 years depending on use

**Hepa filters** typically last 5 years in regular use.

**Pre-filters** can be vacuumed from the exterior of the unit and should be changed every 12 months depending on use

**UV Germicidal lamps** will be effective for up to 10,000 hours

***Protect yourself with Airpura's Safe Efficient Filtration***

# Airpura AIR PURIFIERS

## UV600 Microorganisms

### Technical Specifications

**UV Germicidal Lamp**  
20 watts.  
30,000  $\mu\text{m}$  per sec<sup>2</sup>

### Fume / odor / chemical control

18 lbs activated carbon  
13" x 13" x 9"

### Carbon bed

2" deep x 570 sq" surface

### Particle removal

40 sq ft true HEPA  
(Measured 1 side only)  
10 pleats per inch  
Pleats warm rolled with separators

### Air Flow 560 cfm

More cfm than any other home unit available

### Pre-filter

570 sq in x 1 in deep

### Housing

Powder coat steel

### Size

23" x 15"

### Weight

45lbs total

### Voltage Options

115 or 220 volts

### Watts

120 on high 40 on low

### Sound Level

28.1 db on low (at 6 feet)  
62.3 db on high (560 cfm)  
(Room level 25.1 db)

### ETL Certified

Conforms to  
CSA C22.2 no 113  
ANSI / UL 507

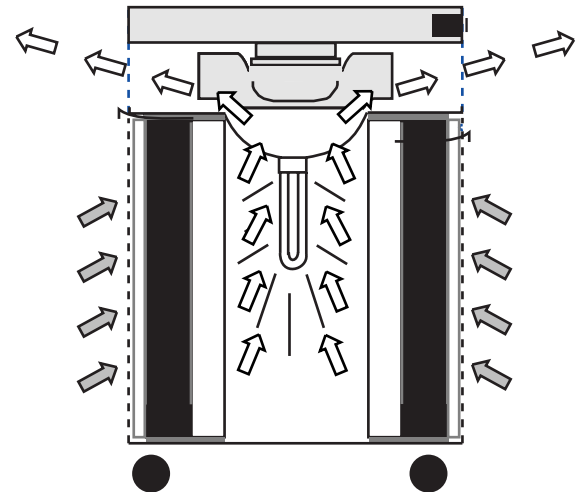
Your **Airpura** Dealer

### Important Features

- **True HEPA filter** traps 99.97% of particles as small as 0.3 microns including antigens, pathogens and mold spores. 40 sq ft filtration surface
- **Superior quality HEPA filter** 10 pleats per inch (others have only 6-8) with separators to avoid sticking together, warm rolled to avoid cracking results in more effective filtration
- **20 Watt UV germicidal lamp** positioned in the filter chamber sterilizes microbes as they are trapped on the filters
- **18 lbs Activated carbon bed.** Adsorbs airborne chemicals and gases like a sponge
- **2 Micro-suppress filters** around the carbon bed suppress any microorganisms
- **Vacuatable pre-filter** Simply vacuum through the mesh or change as necessary. 56 sq in filtration surface.
- **Variable speed motor** lets you choose your ideal level of filtration
- **All metal housing** ensures no plastic vapors are emitted
- **Motor out of the air flow.** Most air purifiers blow the clean air over the motor and pick up new impurities before exhausting it.
- **Felt gaskets** seal the filter chamber. Maximize filtration with no rubber off-gassing found with other filters
- **Pressure seals** on filter chamber ensures all air is filtered Other systems allow dirty air to escape and fail to achieve their promised HEPA rating of 99.97% filtration

### UV that really works

- The lamp is situated in filter chamber so it kills micro-organisms as they are trapped by the filters
- Other UV machines place the UV lamp in the air flow away from the filters. Microbes can escape back into the air.
- 20 watt UV lamp. 30,000  $\mu\text{m}$  per sec<sup>2</sup> provides the dose needed to kill antigens, pathogens and mold spores
- Lamp may be switched on or off as desired. Warning lamp indicates status.



#### True HEPA Filters

Developed by the atomic energy commission to filter radioactive particles as small as 0.3 microns

#### Activated Carbon

Used in water filtration and in military gas masks, it can adsorb 60% of its own weight of airborne chemicals

#### UV Lamps

Kill antigens and pathogens by destroying their DNA

an **SefaCo.** Store  
1-800-667-8721

**Remove microbes, chemicals and particles from your indoor air**