



Sirius
Range Hoods

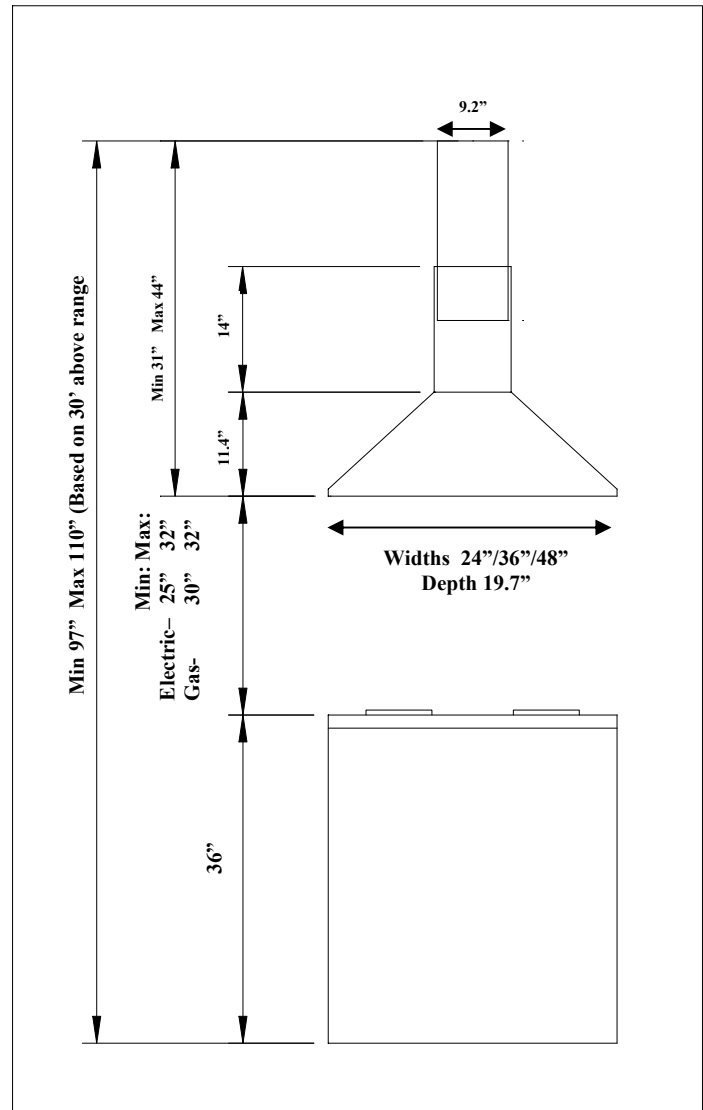
Specification Sheet

Model SU1

Canopy wall mount range hood



Dimensions and installation measurements



Product Features:

- Wall mount hood
- 430 stainless steel #4 brushed finish
- For use over domestic cooking equipment
- 6" round vertical ducting - not supplied
- 600cfm die cast aluminum squirrel cage blower
- Very quiet operation at 61Db/3.9 sones maximum
- Brushed stainless steel
- 4 speed push button settings
- Dishwasher safe aluminum fat filter
- Fat filter is high density with quick release latch
- 2 20W halogen lights
- 10 minute timer
- Heat sensor overload protection
- Filter requires washing indicator
- Separate re-circulating kit available
- Telescopic decorative flue fits variable heights
- Bracket mounting template for ease of installation

Optional Items:

- Ductless re-circulating kit - code KF2D5
(Requires 6" ducting- not supplied)
- Replacement fat filter - code AF2
- Charcoal filter - KF2
- Replacement halogen bulbs and lenses - code Lens1
- Flue extensions - see price sheet

Notes and comments:



an **SefaCo.** Store
1-877-275-9111



Sirius
Range Hoods

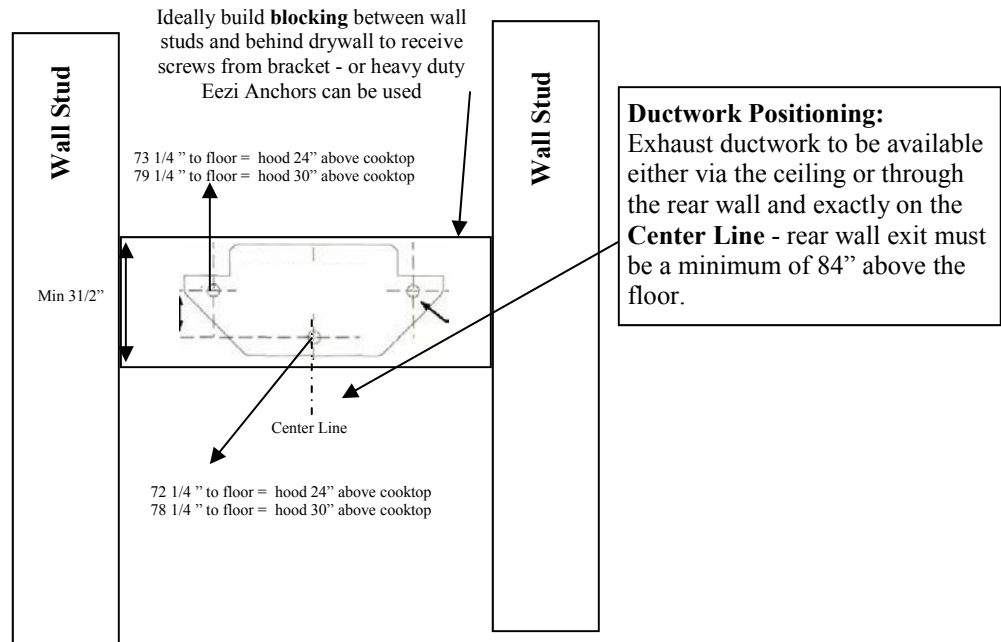
Specification Sheet

Model SU1

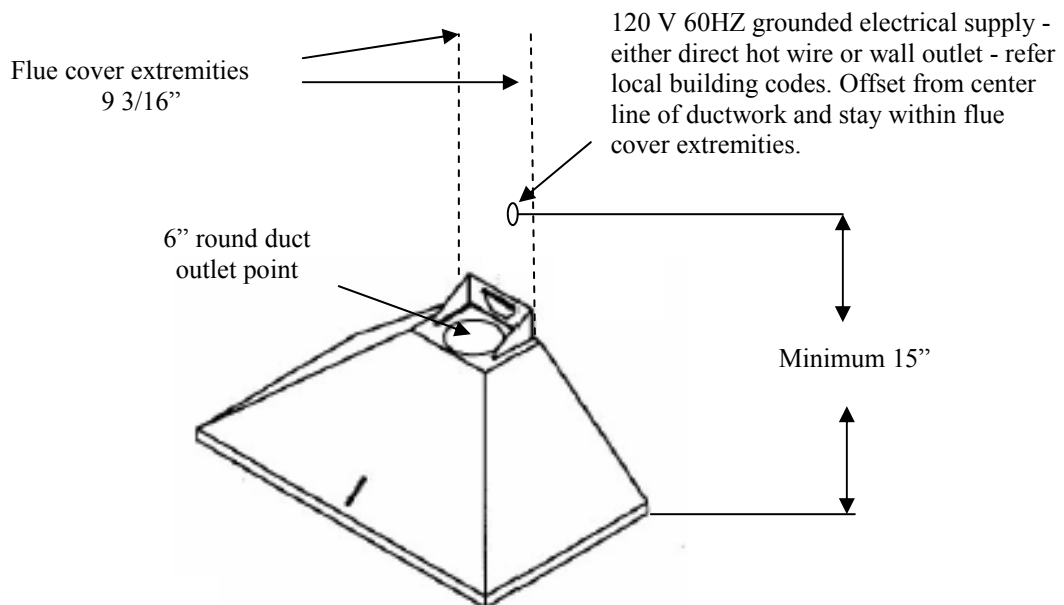
Canopy wall mount range hood

EfaCo accepts no liability for any errors or omissions in this document and it is provided for guidance only
- we reserve the right to change any information presented here in from time to time.

Preparation of wall structure to receive mounting bracket



Preparation of Wiring location



an **EfaCo.** Store
1-877-275-9111