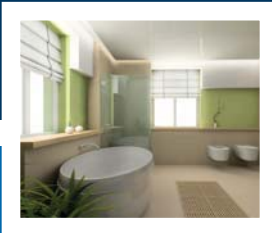
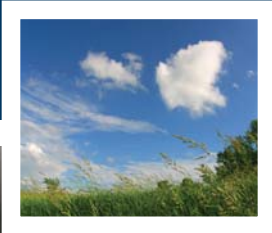




TH-MIXVENT Series

Mixed Flow Roof Top Fans



an *Sefa*Co. Store
1-877-275-9111

The World's Leading Producer of Air Movement Products

TH-MIXVENT Series

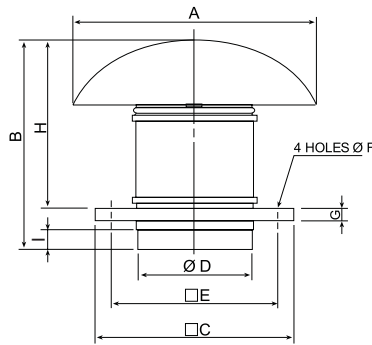
Roof Mounted Fans

S&P is introducing the TH-MIXVENT roof top series powered by the TD-MIXVENT fan. The TH-MIXVENT fans are supplied for exhausting air; however, the motor and impeller housing can be removed and turned 180° to provide supply air ventilation. All models incorporate standard single phase two speed motors. Designed for direct connection to round ducting.



Typical Applications

- Bathroom Exhaust
- Range Hood Exhaust
- Warm or Cool Air Transfer



Dimensions (inches/mm)

Model	A	B	C	D	E	F	G	H	I
TH-250	21 1/2 546	18 457	17 1/8 435	9 3/4 248	13 330	1/2 12	13/16 20	14 5/8 372	1 5/8 42
TH-315	28 15/16 735	21 7/16 544	22 1/16 560	12 5/16 312	17 11/16 450	1/2 12	13/16 20	17 11/16 450	1 15/16 50

Performance characteristics

Model	RPM	CFM v Static Pressure (SP) Ins. WG							
		0"	0.125"	0.25"	0.375"	0.5"	0.75"	1"	1.25"
TH-250	2000	431	385	336	285	240	192	157	127
	2600	605	592	574	510	482	393	318	261
TH-315	1500	603	522	421	363	260	165	98	43
	2200	824	757	698	643	581	423	318	242

More sizes available soon, contact S&P or your local distributor for more details.

Accessories



BOC/BOR
Interior Air Valve



JBS
Roof Curb



SC 15
Variable Speed
Control



CAR
Backdraft damper

