



Sirius
Range Hoods

Specification Sheet

Model SIU5

Canopy island mount range hood



Product Features:

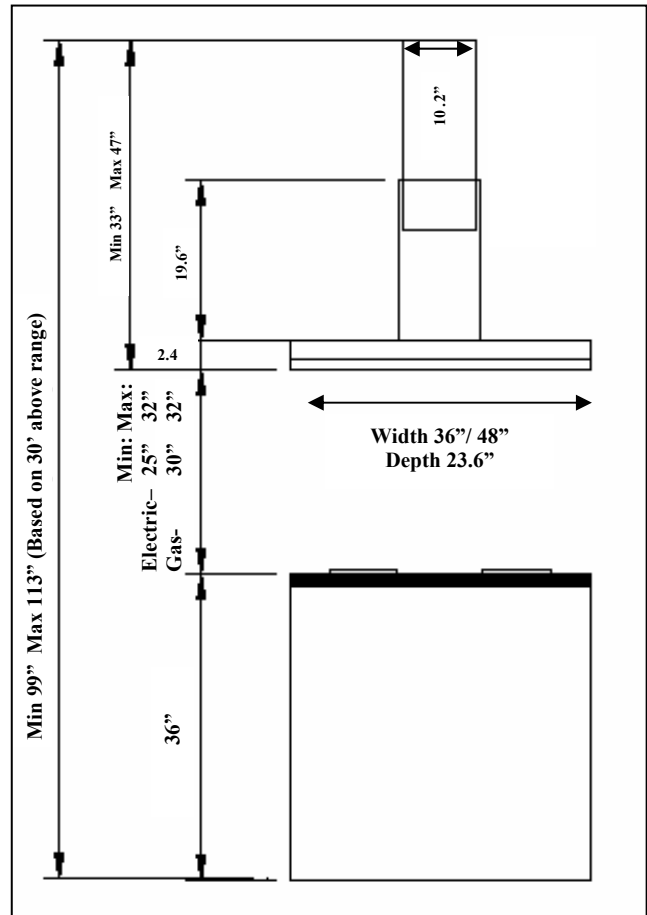
- Wall mount hood
- 430 stainless steel #4 brushed finish
- For use over 36" /48" wide cooking equipment
- 6" round vertical ducting - not supplied
- 600cfm die cast aluminum squirrel cage blower
- Very quiet operation at 61Db/3.9 sones maximum
- Brushed stainless steel
- 4 speed push button settings
- Dishwasher safe aluminum fat filter
- Fat filter is high density with quick release latch
- 4 20W halogen lights
- 10 minute timer
- Heat sensor overload protection
- Filter requires washing indicator
- Separate re-circulating kit available
- Telescopic decorative flue fits variable heights
- Bracket mounting template for ease of installation

Optional Items:

- Ductless re-circulating kit - code KF2D6
(Requires 6" ducting- not supplied)
- Replacement fat filter - code AF2
- Replacement charcoal filter - code KF2
- Replacement halogen bulbs and lenses - code Lens1
- Flue extensions - see price sheet



Dimensions and installation measurements



Notes and comments:

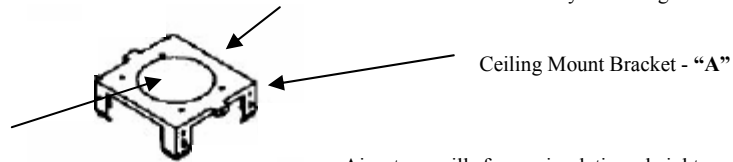
an **SefaCo.** Store
1-877-275-9111



Sirius
Range Hoods

Canopy Island Range Hood Components - SIU5

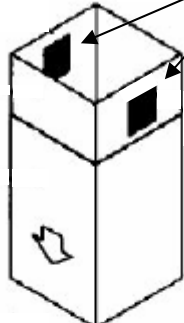
Attaches to ceiling - ensure substantial framework exists to carry total weight - 12" x 12"



Ceiling Mount Bracket - "A"

6" ductwork passes through here - run power cable alongside ductwork down to the Power Unit - due to offset of exhaust point please use an adjustable bend to connect from here down to the exhaust on the hood

Air return grills for re-circulating - height permitting these can be hidden inside the lower section for ducted installations



Upper Decorative Chimney

These slide over "A", "B", "C"



Lower Decorative Chimney

NB:
The exhaust hole in the power unit is not centered in the structure, therefore an off-set must be used to ensure the ductwork will pass through the 6" opening in item "A" or to connect to the deflector when the hood is used in re-circulating mode

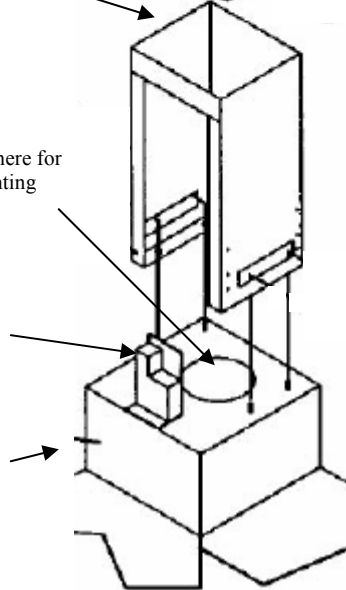
Mounting Frame "B" - attaches to "A"

Mounting Frame "C" - Slides inside "B"

6" round ductwork attaches here for external or re-circulating venting
See note above

Power cable connection point

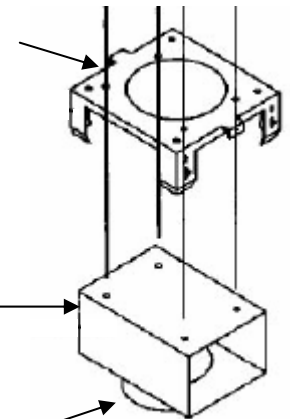
Power Unit - attaches to "C"



Deflector Unit Mounting Procedure

Ceiling Mount Bracket - "A"

Deflector attaches to ceiling mount bracket when island hood is installed in the re-circulating mode and the air that has passed through the fat and carbon filters is returned to the room via a short length of 6" round ductwork attached to the power unit and deflector



6" ductwork attaches here from the power unit