



AIR PURIFIER OWNER'S GUIDE

Models: Induct ID4, ID15, ID30, ID50 and ID100



Congratulations on choosing a Pure Indoor Systems air purifier. We believe it is the most advanced effective and valuable system available today to help cleanse the air you breathe.

INDOOR AIR QUALITY

Public interest and concern regarding indoor air quality has grown considerably over the last few years. As energy efficiency has become more important and more synthetic materials are used in building and furnishing our homes and workplaces, the problems associated with indoor air pollution have increased. In fact, indoor air pollution is now considered by the EPA and Congress to be America's #1 environmental health problem. Indoor air is polluted by toxins from a host of sources: carpeting, paneling, vinyls, particle boards, plastics, insulation, cleaning chemicals, pesticides, and even bedding and clothing are all off-gassing potentially toxic chemicals. The control of these pollutants is extremely important because of the long term detrimental effect they can have on human health. Common symptoms resulting from poor indoor air quality include: headaches, fatigue, eye irritations, asthma attacks, breathing problems, dizziness, memory loss, depression, skin irritations, sinus infections, colds, flu and viruses. Even with no noticeable symptoms, however, exposure to even low levels of contaminants can increase an individual's sensitivity to toxins and potentially lead to long term health problems.



an *SefaCo.* Store
1-800-667-8721

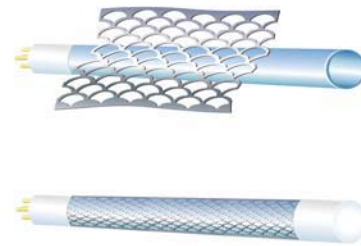
HOW DOES THE PURE INDOOR[®] SYSTEM WORK?

We are continually exposed to a growing number of health threatening pollutants that can be categorized into three groups: biological contaminants, toxic gases, and particulates. To deal with these hazards PURE INDOOR[®] units combine powerful purification methods:



When air flows through the duct work it passes PURE INDOOR's[®] special ultraviolet lamp where it is exposed to intense levels of germicidal ultraviolet light for destruction of organics. These powerful wavelengths also energize the gaseous contents of the air producing a purifying plasma that destroys bacteria, viruses, fungi, VOC's, and other organics as well as neutralizing unpleasant odors. In addition, particulates such as dust and smoke are bombarded by photoelectrons to remove them from the air.

Photo Catalytic Oxidation (PCO) is an advanced process by which volatile organic compounds (VOC's), bacteria, mold and fungus are destroyed by incorporating photon and ultraviolet (UV) energy activating a catalyst creating photo catalytic oxidation (PCO). PCO is produced by the air being exposed to photon light and passing through a catalyst comprised of specific nano-sized mineral compounds. After the air's exposure to the lamp's energy and entering the PCO chamber, three specific free radicals are released which destroy the bio-aerosols (bacteria, molds, and fungus). During the process, hydrogen peroxide, hydroxyl radicals, and hydroxides are then released back into the area and attach themselves to specific organisms and kill them.



PURE INDOOR[®] units also feature advanced engineered electronics. An exclusively designed power source utilizing state of the art constant wattage circuitry ensures optimum electronic efficiency and consistent performance. Plus, with the supplied UL listed AC/DC adapter, the units run on 12VDC providing the utmost in safety. There is little maintenance required on PURE INDOOR[®] units, and they are specifically designed for ease of operation and low cost of ownership.

Inspection Checklist

Check for shipping damage. If damaged, do not plug in or attempt to use. Report immediately to shipper and call your dealer. Inside the shipping carton you should find: a PURE INDOOR[®] InDuct Air Purifier; a UV lamp with PCO Mesh, an AC/DC power cord, an Owners Guide and a Warranty card. If any of these items are missing, please notify your dealer.

Safety

- The PURE INDOOR[®] InDuct product should be installed by a heating/air conditioning specialist.
- **Do not look directly into the UV lamp.**
- Keep the cord away from heated surfaces, and never operate this unit if it has a damaged cord or plug.
- If the unit is not working because it has been dropped, damaged, or submerged in water, return the unit for inspection and repair.
- **Never take the unit out of the duct work without reading the "Maintenance/Lamp Indicator" section in this document.**

Operation

Model Induct PI-4ID, PI-4ID25 & PI-4ID100 - for use in spaces from 200 and 1,000 sq. ft. (max. of 10,000 cubic ft.)

Model Induct PI-15ID, PI-15ID25 & PI-15ID100 – for spaces from 1,000 - 2500 sq. ft., (max. of 25,000 cubic ft.)

Model Induct PI-30ID, PI-30ID25 & PI-30ID100 - for spaces from 2,500 – 4,000 sq. ft., (max. of 40,000 cubic ft.)

Model Induct PI-50ID, PI-50ID25 & PI-50ID100 - for spaces from 4,000 – 6,000 sq. ft., (max. of 60,000 cubic ft.)

Model Induct PI-100ID, PI-100ID25 & PI-100ID100 - spaces from 6,000 – 10,000 sq. ft., (max. of 100,000 cubic ft.)

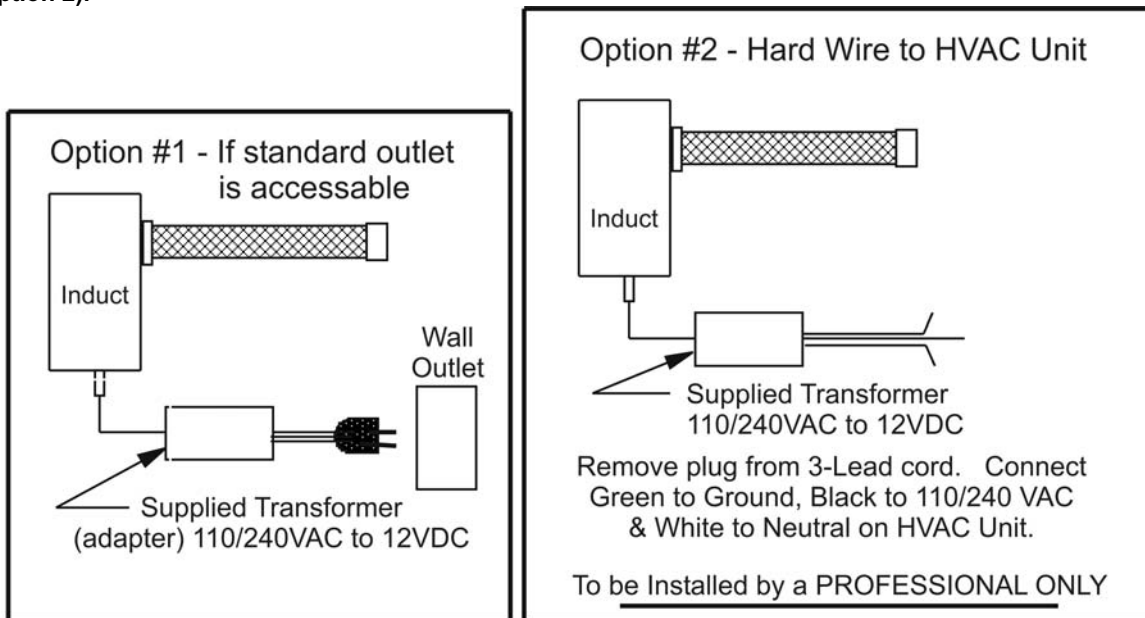
It should be noted that height of the ceilings and the density and quantity of pollutants present have a dramatic effect on the amount of output necessary to clean the air in your environment. Always check with your PURE INDOOR SYSTEMS Professional for excessively odors and/or tobacco smoking areas as a larger model may be necessary.

Installation Instructions

1. Drill a 1 3/8" hole centered in the main air supply (not the return from the room if at all possible) as close to the air handler and cooling coils as possible (different heating/cooling systems may not allow this exact placement). If this placement is not practicable, place the unit in the main plenum before it branches.
2. Insert the lamp into the 4 pin lamp socket on the induct case and tighten the lamp clamp screw until it is firm and the lamp does move.
3. Insert the UV lamp into the hole so that the housing and mounting wings are abutting the duct. Attach unit to the duct using self-tapping sheet metal screws.
4. Plug in or wire the unit as illustrated in the "Wiring Instructions" (See below). Plug the jack into the unit. Turn the on/off switch to on and check to see if both the yellow and blue lamps are lit on the side below the on/off switch. If either or both lamps are not lit, check "Maintenance/Lamp Indicator" section in this Owner's Manual.

Wiring Instructions

PURE INDOOR's® Induct units can be plugged into a standard AC outlet (**option 1**), or wired into to the HVAC unit (**option 2**).



Maintenance/ Lamp Indicator

There is no maintenance required on the induct unit.

There are two colored LED's on the side of the unit. The yellow LED indicates power to the unit is acceptable and the blue LED indicates the lamp is lit.



WARNING: UV LIGHT SOURCE.

DISCONNECT POWER BEFORE SERVICING.

FAILURE TO FOLLOW WARNINGS MAY RESULT IN SEVERE EYE DAMAGE.

If only the blue LED is out then the lamp may be loose in the lamp clamp or the lamp is defective. Make sure that the power supply has been disconnected and the on/off switch has been set to off. Remove the induct from the ductwork and check for proper pin contact. If there is proper pin contact then you must get a new lamp. If in warranty it will be prorated by month and if it is after 12 months you will have to purchase a new lamp.

If both LED's are out it signifies there is no power to the induct. Check all connections- if they are tight contact your dealer or supplier. If you must remove the unit, make sure that the power supply has been disconnected and the on/off switch has been set to off.

WARRANTY

Confirmation of Warranty:

Your prompt product registration confirms the right to the protection available under the terms and conditions of your TM warranty.

All original manufacturers parts defective in material and workmanship for a period of three years on the main body and the power transformer.

The warranty time on the lamp(s) is one year. The product warranty is voided if the lamp(s) are not proven to be renewed on a one year basis.

We will repair or replace a defective product at our discretion.

What you must do:

1. Contact your sales representative or dealer from whom you purchased the product. If you can not reach them then you may call Pure Indoor Systems at (772) 618-4952 for specific return and shipping instructions. At this time you must acquire a Return Authorization Number (RAN).
2. Pack the product in its original carton and in the same manner you received it (or as identical as possible) with proof of purchase.
3. Label and ship the unit, freight prepaid, to the address provided.
4. Place any necessary Return Authorization Number prominently on the outside of the carton.

Other conditions:

The provisions of this warranty are in lieu of any other written warranty, whether expressed or implied, written or oral, including any warranty of merchantability or fitness for a particular purpose. The manufacturer's maximum liability shall not exceed the actual purchase price paid by you for the product. In no event shall the manufacturer be liable for special, incidental, consequential or indirect damages. This warranty does not cover a defect that resulted from improper or unreasonable use or maintenance, accident, improper packing, or unauthorized tampering, alteration or modification as determined solely by PURE INDOOR SYSTEMS. This warranty is void if the label bearing the serial number has been removed or defaced.

Specifications

Purification Method: Photographic Catalytic Oxidation, (PCO), Photoplasma/Photochemistry

Ion Generation: Photo-Ionization of negative ions

Electrical: Input: 12VDC

Power Cord: AC/DC transformer, "B" type - center pin positive "+"

Approvals: Electrical Components - UL, CSA, CE

Manufacturing Plant: EPA Registered Establishment

Made in China



Replacement Parts

Use of parts other than those supplied by the original manufacturer will void all warranties.

Lamp (all PI-4ID models) PURE INDOOR® Lamp #PI-4L, PI-4L25, PI-4L100

Lamp (all PI-15ID models) PURE INDOOR® Lamp #PI-15L, PI-15L 25, PI-15L100

Lamp (all PI-30ID models) PURE INDOOR® Lamp #PI-30L, PI-30L25, PI-30L100

Lamp (all PI-50ID models) PURE INDOOR® Lamp #PI-50L, PI-50L25, PI-50L100

Lamp (all PI-100ID models) PURE INDOOR® Lamp #PI-100L, PI-100L25, PI-100L100



an **SefaCo.** Store

1-800-667-8721