



Fantech

Installation Instructions for Model FB6 Inline Filter Box

READ & SAVE THESE INSTRUCTIONS!

Building sciences research has shown that highly efficient filtration of the outside air before it is delivered to the home is one of the best ways to reduce the level of particles suspended in your home's air.

Specifications

Cabinet

- 22 galvanized steel
- 10" (250mm) depth x 8" (200mm) height x 20-1/2" (525mm) length
- 6" (150mm) diameter plastic duct connections
- Beige baked enamel powder paint
- Neoprene door seal.
- Access door removed with thumb screws
- Comes with hanging chains, screws and hooks for hanging

Filter

- Pleated, non-washable
- 10"x20"x1" (nominal)
- Exact dimensions : 9-1/2" x 19-1/2" x 3/4" (240 x 495 x 19 mm)
- Rated MERV12 (Arrestance of >95% based on Standard 52.1)
- UL Listed Class 2 filter for the US and Canada

MERV 12 Filter



Installation

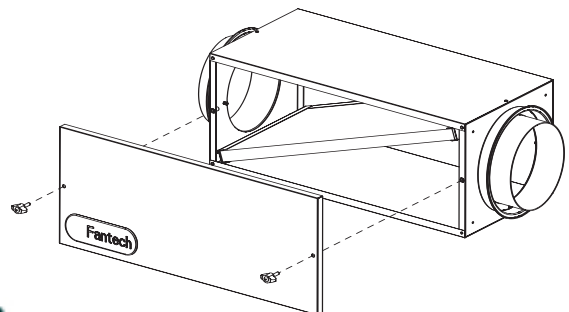
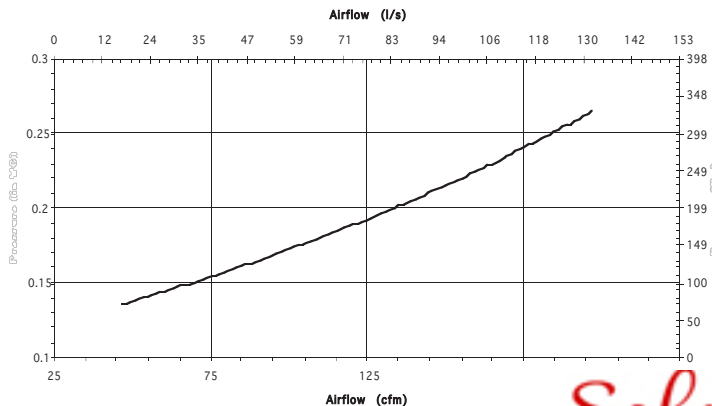
WARNING: Disconnect power to any appliances or fans to which you will be connecting the FB6. Failure to do so may result in injury.

- Seal unused mounting holes with aluminum tape or adhesive to prevent air leak
- Install the FB6 between your HRV or inline fan and your home's ducting.
- Using the hanging kit supplied, screw chains into mounting holes in cabinet and use provided hooks to suspend chains from ceiling, rafters or joists.
- Make sure access door is oriented so you can easily check the filter and replace it when needed.
- Use aluminum tape or an adhesive to seal the ducts onto the duct connections. Duct tape eventually fills with dust and loses its adhesive.
- If cold air from the outside will pass through the FB6 and it is located in a warm area, condensation may occur. Insulate the cabinet if this is a concern in your installation.
- If warm, humid air will pass through the FB6 and it is located in a cool air-conditioned area, condensation may occur inside the cabinet. Insulate the cabinet if this is a concern in your installation.
- Open the access panel and check that the filter is in place and any packaging is removed

Maintenance

Replace your filter every three (3) months. Adjust your maintenance schedule based on how dirty the filter is when you replace it. If the inside of the cabinet is dirty, wipe with a clean, damp cloth. *Enter the date the filter was installed then the date of each replacement filter. (See back page for chart)*

Airflow & Pressure Drop



an **SefaCo.** Store

1-800-667-8721

