



Fantech

Whole House HEPA Filtration

Whole House HEPA Filtration System

Model DM3000P

- Uniquely Designed for Superior Performance
- Backed by a 7-Year Motor Warranty



Pre-filter

Carbon Filter

Certified HEPA Filter

99.97% Effective
Down to 0.3 microns

Featuring Integrated Airflow Sensor Switch

Energizes the unit anytime furnace / air handler operates.

FEATURES

- Certified HEPA Filter Media
- Duct Mount Design
- Built-in Airflow Sensor Switch
- Template Provided for Duct Cut-Out
- Easy Mount Seal Plate for Quick Installations
- Virtually Zero Filter By-Pass in Cabinet
- Fantech's Flobaffle Technology
- ebm® Motor with Backward Incline Impeller Means Efficient Airflow Even as Filter Loads
- Effortless Swing-Open Access Door for Easy Service
- Powder Coated Cabinet
- 5' Power Cord with 3-Prong Plug-in

True HEPA Filtration for Your Entire Home!

- Collects 99.97% of airborne particles and allergens down to 0.3 microns including smoke and dust particles, animal dander, dust mites, bacteria and attached viruses
- Cleans the air in an average house once each hour
- Easily connects to existing ductwork of forced air furnace or air handler

So Easy to Install!

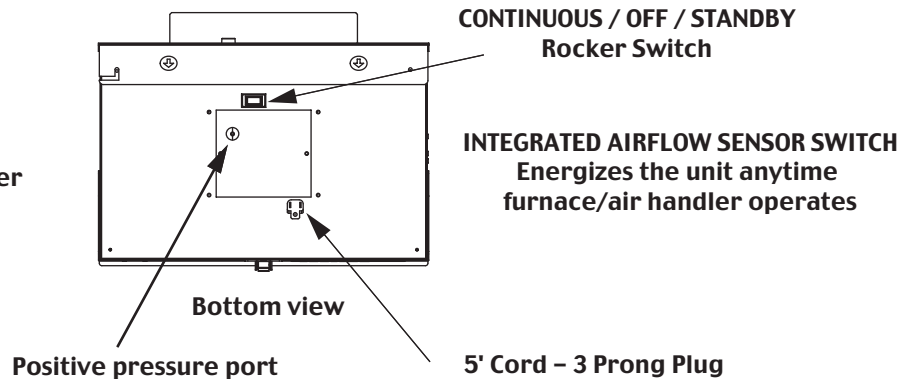
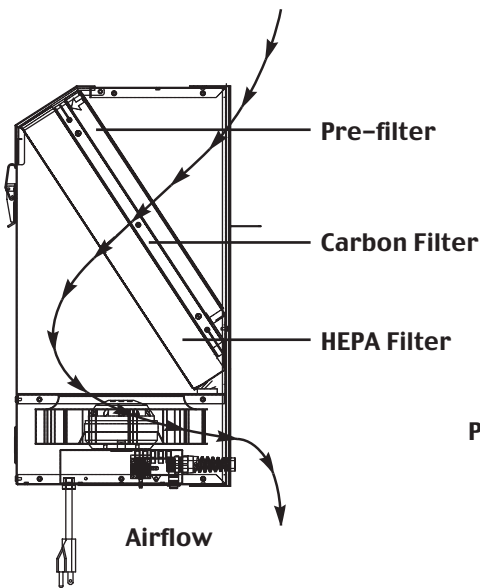
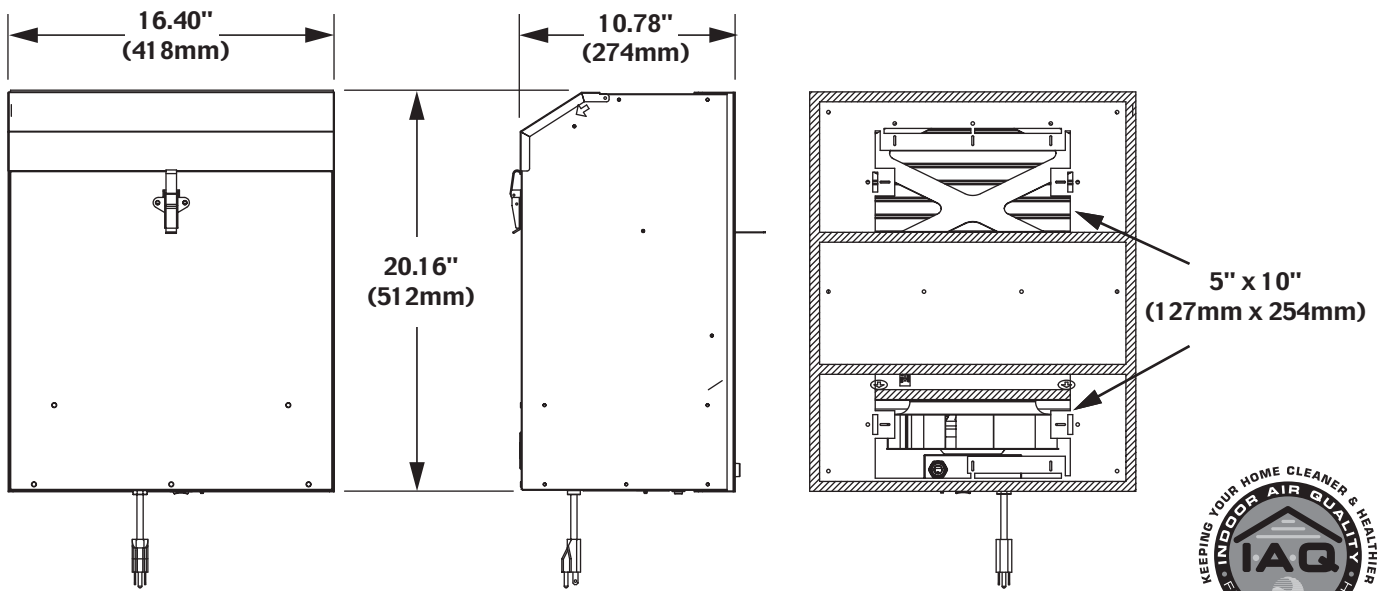
- Horizontal or vertical installation
- Can be installed independently, on your furnace, air handler, or combined with your ventilation system
- Duct template and easy-mount seal plate provided
- Built-in pressure switch turns on HEPA unit anytime furnace blower is energized
- No wiring required

Horizontal or Vertical Installation!



an **EefaCo.** Store
1-800-667-8721

Dimensions & Airflow - All units feature five foot plug-in power cord with 3-prong plug.



Specifications and Ratings

- Model: DM3000P
- Total assembled weight: 25 lbs
- Cabinet: 22 ga. steel w/ powder coat finish
- Motor: ebm motor w/backward curved blades
- Integrated airflow sensor switch. Energizes the unit anytime furnace/air handler operates
- Mounting: Suspended by mounting plate
- Ducts: 5" x 10" (127mm x 254mm)
- Pressure tube included
- Electrical requirements:

Volts	Frequency	Amps	Watts
120V	60Hz	1.0A	150W

 5' plug-in power cord w/ 3-prong plug

Contacts



an *SefaCo.* Store
1-800-667-8721