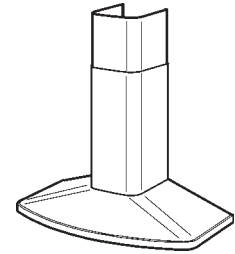


RANGEMASTER® RM52000 SERIES RANGE HOOD



A wall-mounted chimney hood with sleek, graceful, hand-rolled curves that is engineered to meet the requirements of today's conventional appliance and kitchen styles.

FEATURES

- Professional style design
- 430 Stainless Steel #4 Brushed construction
- Wall mount installation
- Seamless corners for easy cleaning
- Ducted/non-ducted telescopic flue - fits 8 ft. to 9 ft. ceilings
- 6" round vertical discharge
- 370 cfm centrifugal blower
- Three-speed slide control
- Dual halogen lighting (2 x 20 Watt, Type T4) (included)
- Dishwasher-safe aluminum filter features a quick-release latch and professional style appearance
- Available sizes: 30", 36", 42"

OPTIONS

- Replacement grease filters available (Part No. SB08087294)
- Non-ducted recirculation kit (Model RRK51)
- Replacement charcoal filter (Model SQUAREFILTER or Part No. SB03300488)
- Flue Extension for 10 ft. ceiling (for ducted applications) (Model RFX5204)

SPECIFICATIONS

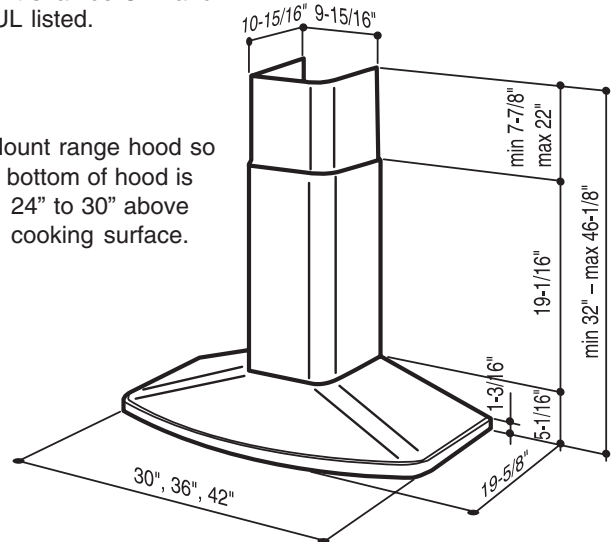
VOLTS	AMPS	CFM	SONES	DUCT
120	3.1	370	7.0	6" round



TYPICAL SPECIFICATION

Range hood shall be Broan Model RM52000. Unit shall be convertible between ducted (using a washable aluminum filter) and non-ducted (using a recirculation kit). Motor to be permanently lubricated. Unit shall have three-speed fan switch and separate light switch. Sides shall be mitered and bottom edge hemmed - with no sharp edges. Air delivery shall be no less than 370 CFM. Unit shall be U.L. and cUL listed.

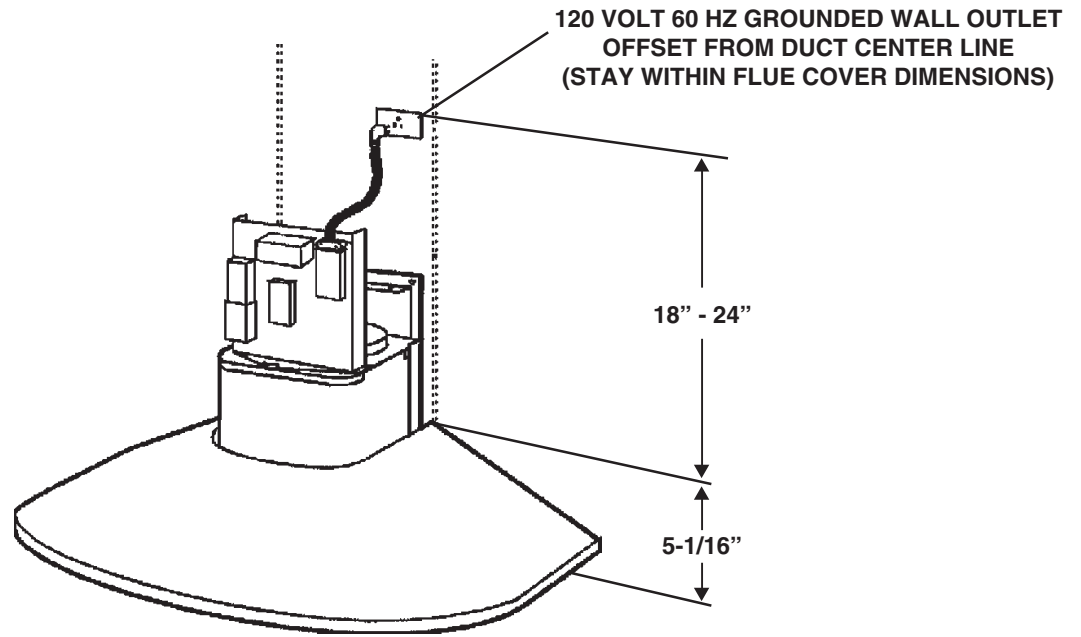
Mount range hood so bottom of hood is 24" to 30" above cooking surface.



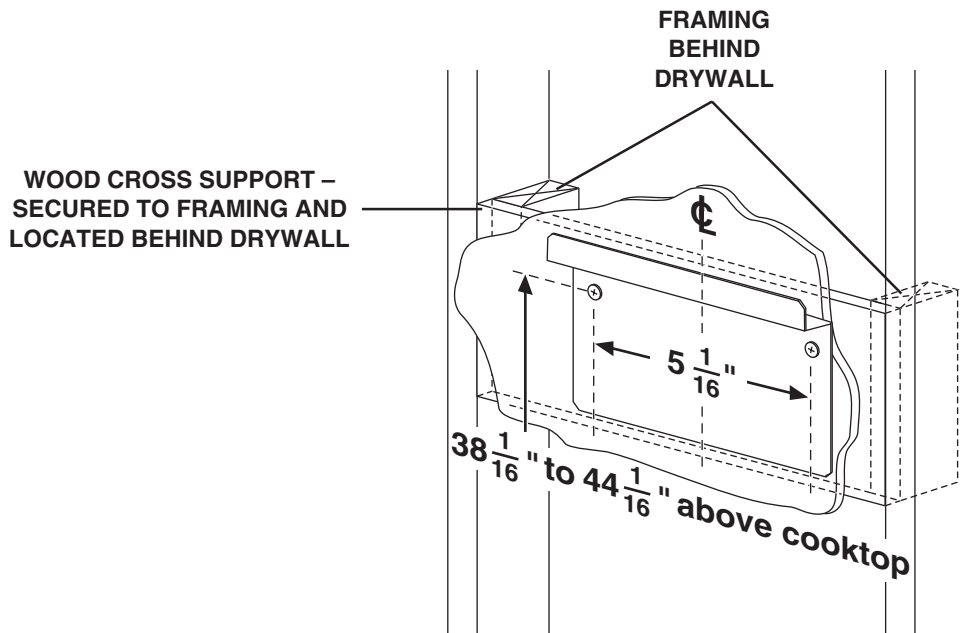
HVI-2100 CERTIFIED RATINGS comply with new testing technologies and procedures prescribed by the Home Ventilating Institute, for off-the-shelf products, as they are available to consumers. Product performance is rated at 0.1 in. static pressure, based on tests conducted in AMCA's state-of-the-art test laboratory. Sones are a measure of humanly-perceived loudness, based on laboratory measurements.

REFERENCE	QTY.	REMARKS	Project	
an <i>SefaCo.</i> Store 1-877-275-9111			Location	
			Architect	
			Engineer	
			Contractor	
			Submitted by	Date

RM52000 SERIES WIRING



RM52000 SERIES MOUNTING



38-1/16" = bottom of hood 24" above cooktop
44-1/16" = bottom of hood 30" above cooktop



an *SefaCo.* Store
1-877-275-9111