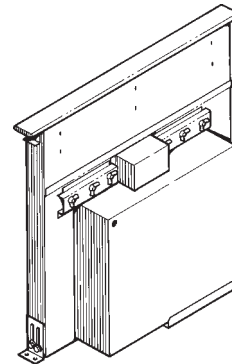


MODELS 2730 & 2736

ECLIPSE™

DOWNDRAFT BLOWER SYSTEM



Exhaust your cooktop without the use of an overhead hood.

FEATURES

HOUSING:

- Rugged steel construction
- Finished with black, electrically-bonded epoxy paint
- Space-saving - can be used with most cooktops on the market
- 30" or 36" size - Fits standard-size cabinets

BLOWER:

- Dynamically-balanced 9-1/8" dia. x 2-1/8" centrifugal blower wheel for quiet, efficient performance
- Permanently lubricated, thermally-protected motor
- Neoprene, resilient anti-vibration mounts
- Unit plugs directly into 120 VAC, 60 HZ, grounded outlet
- Uses standard 3-1/4" x 10" duct connector
- 3-position discharge - scroll box moveable to adjust to floor joists

AIR VENT ASSEMBLY:

- Brushed stainless steel cover - just press button or turn unit "ON"
- Designer White or Black doors - available separately
- Air vent rises to 7" from cooktop for optimum removal of cooking contaminants
- Two washable aluminum grease filters
- Stainless steel face plate - makes cleanup quick and easy
- Flush-mounted, infinite speed blower control
- Conveniently located button - press to lower air vent and turn unit "OFF"

TYPICAL SPECIFICATION

Downdraft blower system shall be Broan Model 2730 (Broan Model 2736).

Unit to have steel housing with electrically-bonded paint finish. Air vent to rise at least 7" and have a stainless steel face plate for ease of cleaning.

Filters to be washable and removable from above.

Blower will connect directly to 3-1/4" x 10" rectangular duct (6" round duct using a transition). Blower discharge to be convertible to accommodate ductwork from LEFT, RIGHT, or BELOW and have 7-1/2" side-to-side adjustment.

Motor shall be mounted to blower assembly with grease resistant anti-vibration mounts, be removable, and lifetime lubricated.

Downdraft system shall operate on 120 VAC and be able to be plugged into a standard grounded outlet. It will have an infinite speed blower control.

Air delivery shall be no less than 500 CFM. Air delivery rating shall be certified by HVI. Downdraft blower system to be U.L. listed.

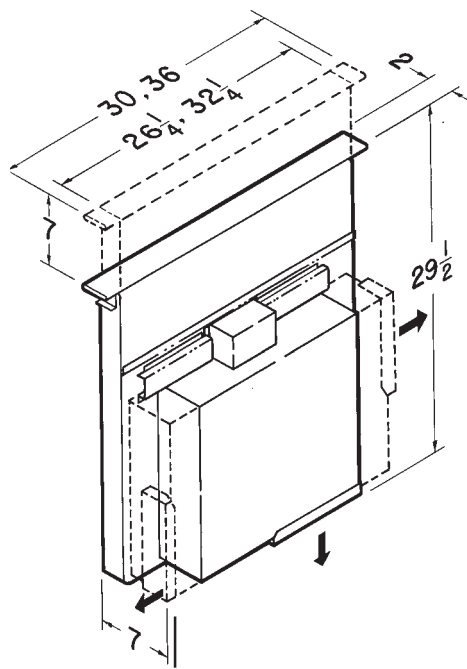
SPECIFICATIONS

VOLTS	AMPS	CFM	DUCT
120	4.0	500	3-1/4" x 10"

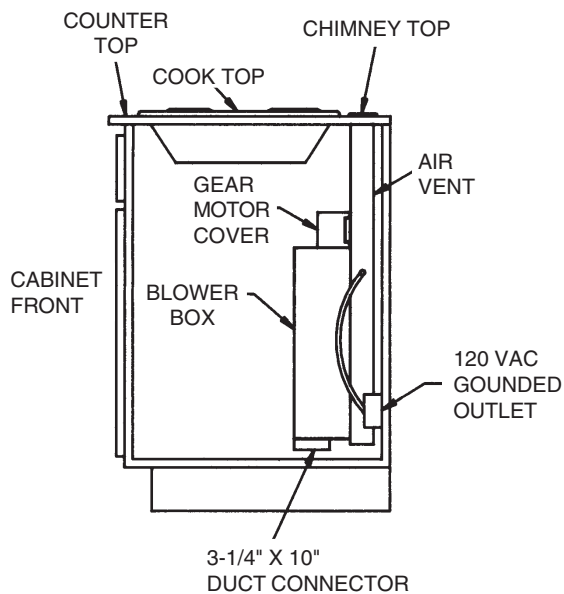


HVI certified ratings comply with testing procedures prescribed by the Home Ventilating Institute. Ratings are at 0.1 in. static pressure.

REFERENCE	QTY.	REMARKS	Project
an <i>EefaCo.</i> Store 1-877-275-9111			Location
			Architect
			Engineer
			Contractor
			Submitted by



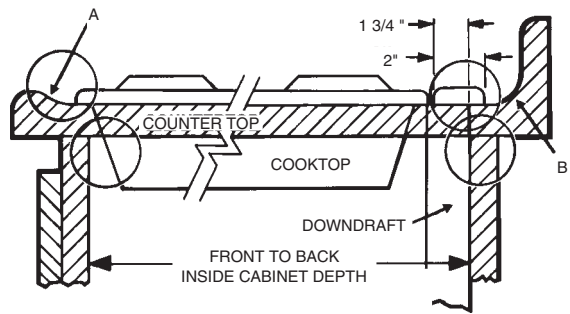
TYPICAL INSTALLATION



ELECTRICAL

The unit has a 2 ft. power cord with a 3-pronged plug. Plan to provide a grounded outlet within reach of this cord. Outlet may also be wall-mounted, with access hole in cabinet. If local codes call for hard-wiring, see installation instructions.

DOWNDRAFT



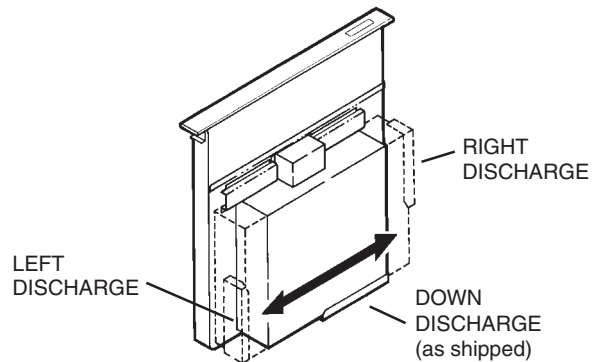
Refer to the cooktop installation instructions for dimensions of cooktop, countertop cut-out, and cabinet requirements. The 2730 and 2736 can be installed in most standard 30" and 36" wide cabinets.

Cooktop depth can vary greatly from one to another. This may cause the fit of these two appliances to be rather tight.

Pay special attention to the 4 areas of potential interference highlighted above. The back of the downdraft cut-out will be 1-3/4" from the cooktop and 2" of FLAT countertop is needed behind cooktop.

DUCTWORK

This downdraft blower system is designed for use with 3-1/4" x 10" rectangular, or 6" round duct. The blower discharge can be positioned in one of 3 directions with 7-1/2" movement side to side.



<p>3-1/4" x 10" TO 6" RD. TRANSITION</p> <p>2 FT.</p>	<p>3-1/4" X 10" 90° ELBOW</p> <p>8 FT.</p>	<p>6" RD. ELBOW</p> <p>6 FT.</p>
---	--	----------------------------------

The system will operate most efficiently when the ductwork does not exceed 40 feet of equivalent duct. The chart above, shows equivalent feet of elbows and transitions. The number of feet of straight 3-1/4" x 10" or 6" duct plus the equivalent feet of elbows or transitions to be used should equal 40 feet or less.

The equivalent feet of various roof and wall caps has been taken into consideration. Do not include them in this calculation.