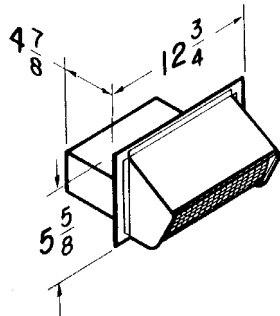
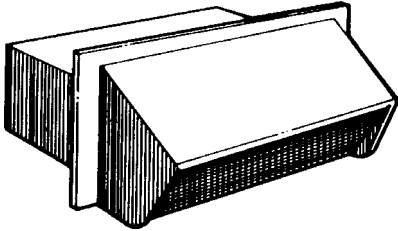
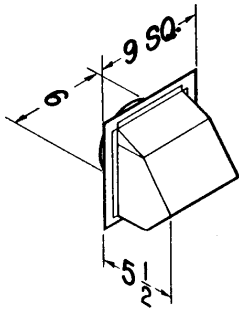


SPECIFICATION SHEET



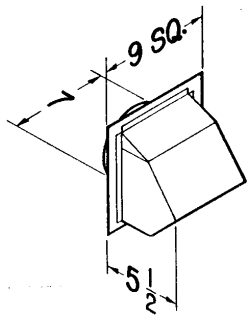
Model 649

- For 3 1/4" x 10" duct
- Spring-loaded backdraft damper and bird screen
- 24 GA CRCQ Steel, black electrically-bonded epoxy finish
- .025 Aluminum - natural finish



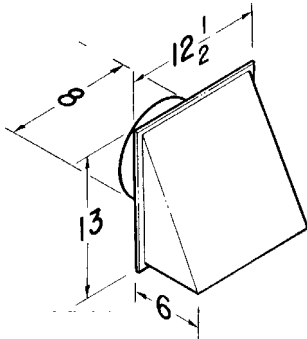
Model 641

- For 6" round duct
- Spring-loaded backdraft damper and bird screen
- 24 GA CRCQ Steel, black electrically-bonded epoxy finish
- .025 Aluminum - natural finish



Model 647

- For 7" round duct
- Spring-loaded backdraft damper and bird screen
- .025 Aluminum - natural finish



Model 643

- For 8" round duct
- Built-in backdraft damper
- .025 Aluminum - natural finish

REFERENCE	QTY.	REMARKS	Project
			Location
			Architect
			Engineer
			Contractor
			Submitted by Date