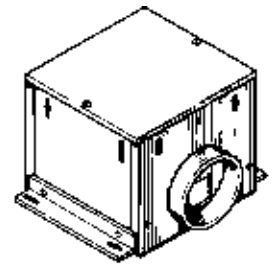




MODELS SP100, SP140 & SP200 SINGLE-PORT IN-LINE VENTILATORS



READ AND SAVE THESE INSTRUCTIONS

WARNING

TO REDUCE THE RISK OF FIRE, ELECTRIC SHOCK, OR INJURY TO PERSONS, OBSERVE THE FOLLOWING:

1. Use this unit only in the manner intended by the manufacturer. If you have questions, contact the manufacturer at the address or telephone number listed below the warranty.
2. Before servicing or cleaning unit, switch power off at service panel and lock the service disconnecting means to prevent power from being switched on accidentally. When the service disconnecting means cannot be locked, securely fasten a prominent warning device, such as a tag, to the service panel.
3. Installation work and electrical wiring must be done by qualified person(s) in accordance with all applicable codes and standards, including fire-rated construction codes and standards.
4. Sufficient air is needed for proper combustion and exhausting of gases through the flue (chimney) of fuel-burning equipment to prevent backdrafting. Follow the heating equipment manufacturer's guideline and safety standards such as those published by the National Fire

WARNING

Protection Association (NFPA), and the American Society for Heating, Refrigeration and Air Conditioning Engineers (ASHRAE), and the local code authorities.

5. When cutting or drilling into wall or ceiling, do not damage electrical wiring and other hidden utilities.
6. Ducted fans must always be vented to the outdoors.
7. This unit must be grounded.

CAUTION

1. For general ventilating use only. Do not use to exhaust hazardous or explosive materials and vapors.
2. To avoid motor bearing damage and noisy and/or unbalanced impellers, keep drywall spray, construction dust, etc. off power unit.
3. **If ventilator is installed in an unconditioned space (such as an attic):** Surround the ventilator with thermal insulation - to minimize possible condensation.
4. Please read specification label on product for further information and requirements.

PLAN THE INSTALLATION

Adequate ventilation requires that both intermittent and continuous contamination be controlled.

Intermittent ventilation must be provided in the bathroom and kitchen. The bathroom requires 8 air changes per hour. (Multiply bathroom sq. footage by 1.1 for proper fan sizing.) The kitchen requires a minimum of 150 CFM capacity (71 l/s) when a ducted range hood is used. If a kitchen fan is used, determine fan capacity by multiplying the room's sq. footage by 2. All are run intermittently to control pollution at the source.

Continuous ventilation, while the house is occupied, provides the flow of fresh air for good indoor air quality.

This ventilator is intended for continuous operation, supplying fresh air to the entire house.

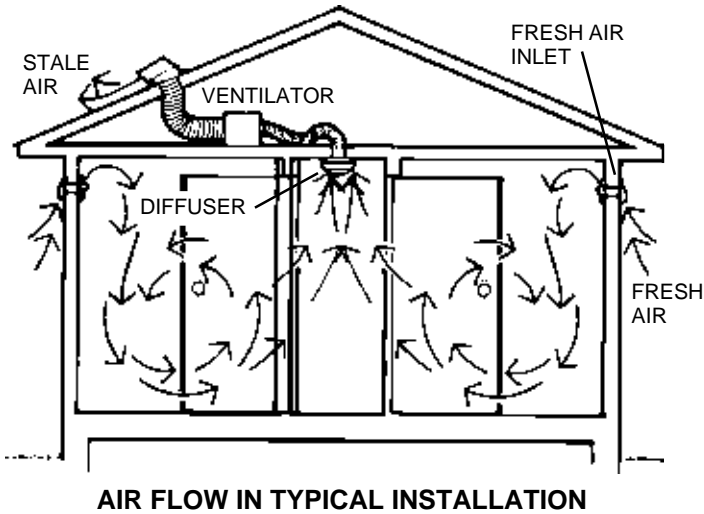
RECOMMENDED VENTILATOR SIZING

MODEL	DWELLING SIZE RANGE (Sq. Ft.) (include finished basement area)		
	.50 AC/HR*	.35 AC/HR*	.30 AC/HR*
SP100	1500	2140	2500
SP140	2100	3000	3500
SP200	3000	4285	5000

*AC/HR = Air Changes per Hour. Based on 8' ceilings.

SQ. FT. x 10.764 = M²

PLAN THE INSTALLATION



VENTILATOR

The ventilator exhausts stale air. There are normally sufficient natural intake openings into a dwelling to admit fresh outside air to be drawn in to replace the stale air. For better control, fresh air inlets may be used.

The ventilator should be centrally located to keep ductwork as short as possible. Locations for the ventilator include: joists in an attic space or the basement, or a wall away from the living areas.

EXHAUST DIFFUSERS (Available separately)

Exhaust diffusers regulate the flow of fresh air drawn through the house.

Exhaust diffusers should be mounted in the ceilings or high on the wall.

For best performance, exhaust diffusers should be mounted in a central location. An exhaust diffuser should not be installed near a cooking area. (see figure)

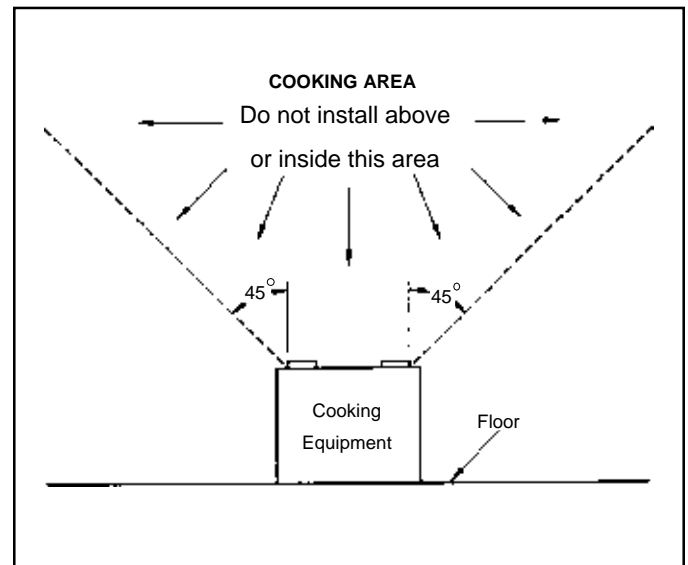
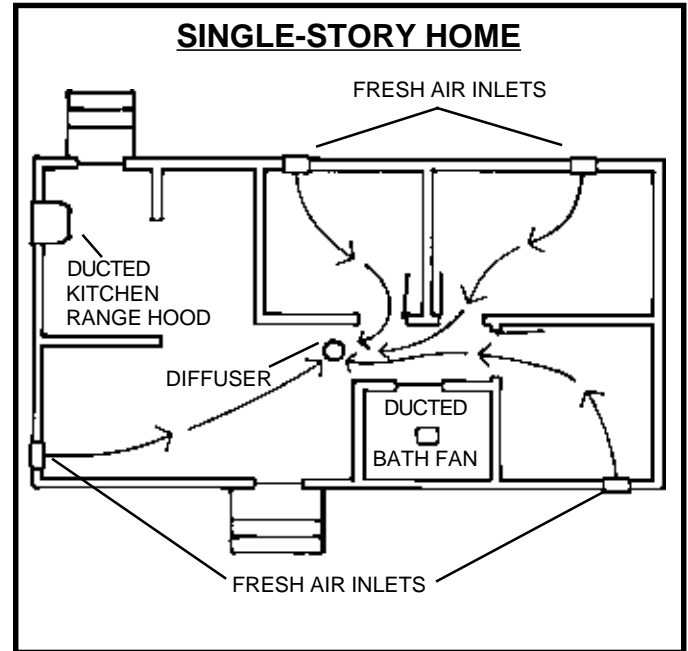
FRESH AIR INLETS (Available separately)

For best control of fresh air in a room, install a fresh air inlet.

The number of inlets depend on the floor plan. Consider the rooms/areas through which fresh air should flow toward the exhaust diffuser(s).

Inlets should be located in outside walls, preferably near the ceiling. Each inlet should be approximately the same distance from a diffuser. Inlets should be separated from diffusers far enough to allow fresh air to mix with room air before being exhausted.

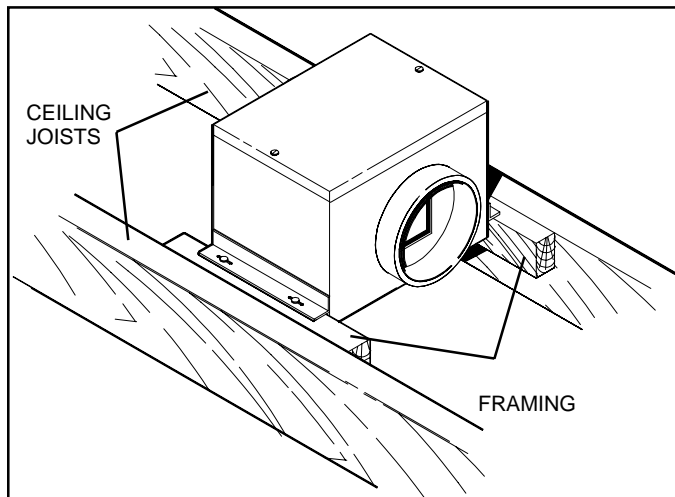
LOCATION OF DIFFUSERS & INLETS



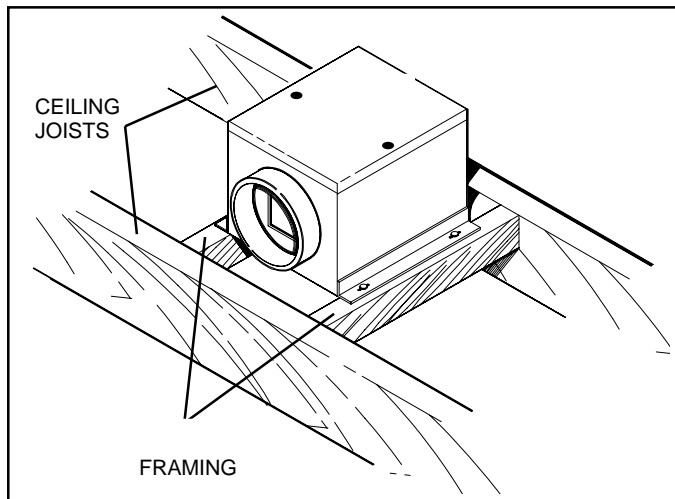
INSTALL FRESH AIR INLETS

1. Mount all fresh air inlets in chosen locations during rough-in construction. Follow directions packed with inlets.

MOUNT THE VENTILATOR

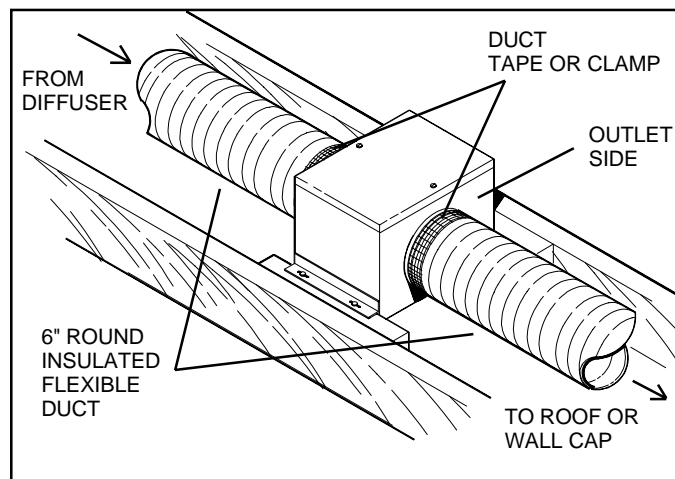


OR



1. Add framing to ceiling joists as shown.
2. Set ventilator in place and screw it to framing with screws provided. Ventilator may also be hung from ceiling joists or rafters with hanging straps (available separately).

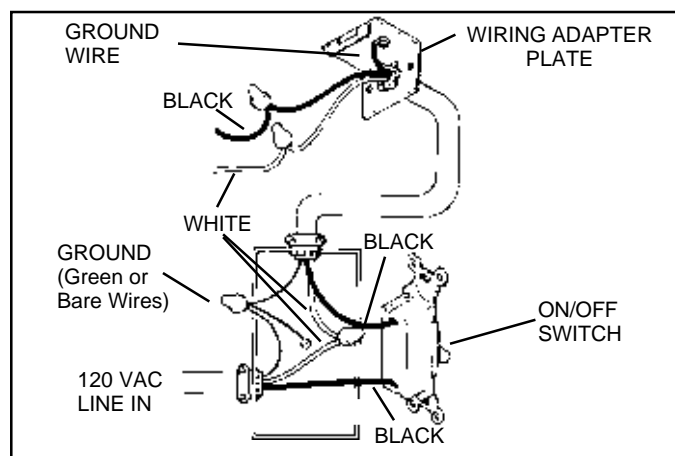
CONNECT DUCTWORK



1. Run 6" insulated, flexible ductwork from ventilator inlet to diffuser location(s) and from ventilator outlet to roof or wall cap. Outlet side is marked with a label.
2. To minimize condensation inside of ductwork in the attic, cover ductwork with additional insulation. Also, avoid forming condensation traps in the ductwork runs.
3. Seal ductwork to ventilator and roof or wall cap with duct tape or clamp (available separately)

WIRE THE VENTILATOR

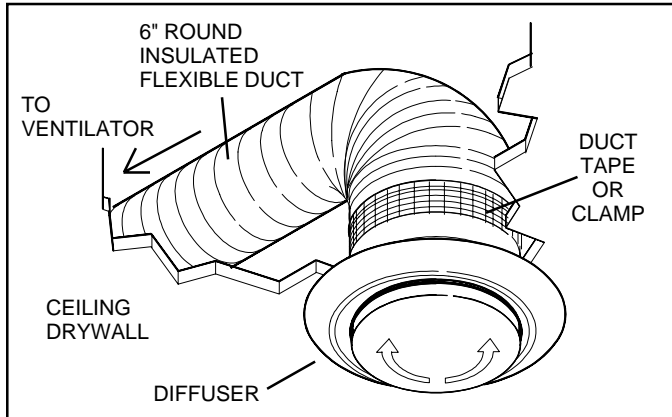
WARNING: DISCONNECT POWER AT SERVICE ENTRANCE AND LOCK OUT SERVICE PANEL TO PREVENT POWER FROM BEING SWITCHED ON ACCIDENTALLY.



Use an ON/OFF switch to control the in-line ventilator. Accessory timers and humidity controls are also available.

1. Remove the wiring adapter plate.
2. Attach power cable to wiring adapter plate using U.L./CSA approved connector.
3. Connect black to black, white to white, and green or bare wire to green ground screw.
4. Replace wiring adapter plate. Make sure tab on housing slides through slot in plate.

INSTALL EXHAUST DIFFUSERS



Follow instructions packed with diffuser(s). General instructions:

1. Cut hole(s) in ceiling drywall and install diffuser(s).
2. Connect insulated ductwork to diffuser(s) and use duct tape or clamp (available separately) to seal connection(s).
3. Rotate center of diffuser(s) counterclockwise to fully open for maximum air flow. Reduce air flow by rotating center of diffuser(s) clockwise to desired opening. A balancing damper (available separately) can be used to adjust airflow.

SERVICE PARTS

Models SP100, SP140 & SP200

KEY NO.	PART NO.	DESCRIPTION
1	99150591	Screw, #10 x 7/8" (4 required)*
2	97011393	Housing Assembly (includes Key No. 7)
3	98005512	Wiring Adapter Plate
4	99150471	Ground Screw, #10-32 x 1/2"
5	97008575	Wiring Harness
6	99260477	Whiz Nut, 1/4-20 (2 required)*
7	99420470	Grille Nut (2 required)
8	98005513	Outlet Box Cover
9	99400035	Strain Relief Bushing
10	97011394	Blower Wheel (SP100)
	97011395	Blower Wheel (SP140)
	97011396	Blower Wheel (SP200)
11	97011361	Blower Housing (SP100)
	97011362	Blower Housing (SP140)
	97011363	Blower Housing (SP200)
12	99100412	Motor Mounting Rubber
13	97011400	Motor (SP100) (includes Key No. 16)
	97011401	Motor (SP140) (includes Key No. 16)
	97011402	Motor (SP200) (includes Key No. 16)
14	95000963	Motor Cup
15	99170245	Screw, #8B x 3/8" (10 required)*
16	97011403	Capacitor (SP100)
	97011404	Capacitor (SP140)
	97011405	Capacitor (SP200)
17	97011406	Cover
**	97011407	Blower Assembly Complete (SP100) (includes Key No.s 10 thru 16)
**	97011408	Blower Assembly Complete (SP140) (includes Key No.s 10 thru 16)
**	97011409	Blower Assembly Complete (SP200) (includes Key No.s 10 thru 16)

* Standard Hardware - May be purchased locally.

** Not shown assembled.

Always order replacement parts by "Part No. - not by "Key No."

USE AND CARE

WARNING: DISCONNECT ELECTRICAL POWER SUPPLY AND LOCK OUT SERVICE PANEL BEFORE CLEANING OR SERVICING THIS UNIT.

CLEANING

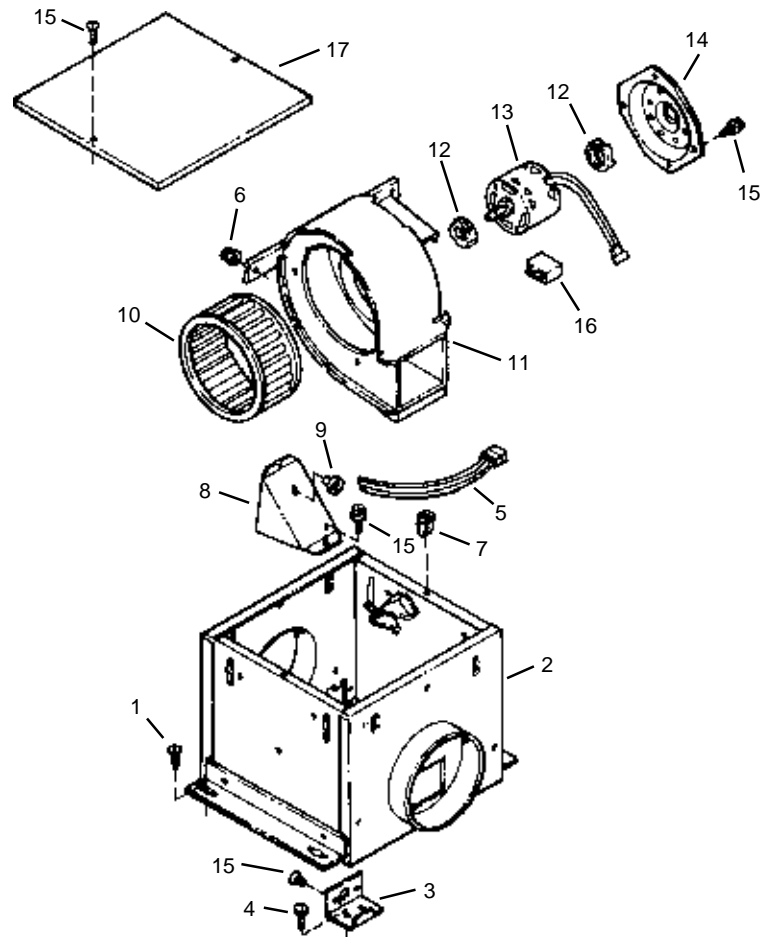
A continuously operating in-line ventilator needs to be cleaned once a year to assure proper performance.

Remove cover and carefully vacuum blower and inside of housing. Be careful not to bend or otherwise damage blower wheel.

Diffusers and intake vents can be vacuumed and/or wiped clean with a damp cloth.

MOTOR LUBRICATION

The motor is permanently lubricated. Do not oil or disassemble motor.



BROAN ONE YEAR LIMITED WARRANTY

Broan warrants to the original consumer purchaser of its products that such products will be free from defects in materials or workmanship for a period of one year from the date of original purchase. THERE ARE NO OTHER WARRANTIES, EXPRESS OR IMPLIED, INCLUDING, BUT NOT LIMITED TO, IMPLIED WARRANTIES OF MERCHANTABILITY OR FITNESS FOR A PARTICULAR PURPOSE. During this one-year period, Broan will, at its option, repair or replace, without charge, any product or part which is found to be defective under normal use and service.

THIS WARRANTY DOES NOT EXTEND TO FLUORESCENT LAMP STARTERS AND TUBES. This warranty does not cover (a) normal maintenance and service or (b) any products or parts which have been subject to misuse, negligence, accident, improper maintenance or repair (other than by Broan), faulty installation or installation contrary to recommended installation instructions.

The duration of any implied warranty is limited to the one-year period as specified for the express warranty. Some states do not allow limitation on how long an implied warranty lasts, so the above limitation may not apply to you.

BROAN'S OBLIGATION TO REPAIR OR REPLACE, AT BROAN'S OPTION, SHALL BE THE PURCHASER'S SOLE AND EXCLUSIVE REMEDY UNDER THIS WARRANTY. BROAN SHALL NOT BE LIABLE FOR INCIDENTAL, CONSEQUENTIAL OR SPECIAL DAMAGES ARISING OUT OF OR IN CONNECTION WITH PRODUCT USE OR PERFORMANCE. Some states do not allow the exclusion or limitation of incidental or consequential damages, so the above limitation or exclusion may not apply to you.

This warranty gives you specific legal rights, and you may also have other rights, which vary from state to state. This warranty supersedes all prior warranties.

To qualify for warranty service, you must (a) notify Broan, (b) give the model number and part identification and (c) describe the nature of any defect in the product or part. At the time of requesting warranty service, you must present evidence of the original purchase date.