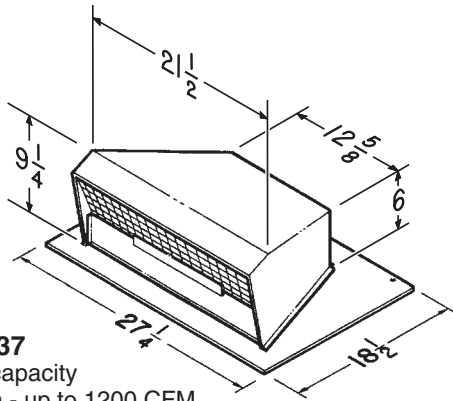
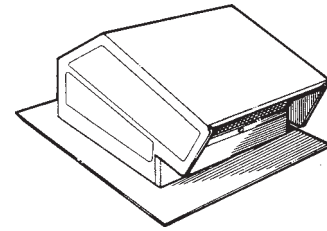
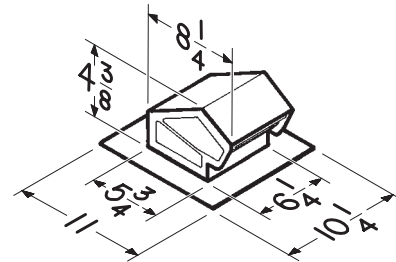


ROOF CAPS



Model 437

- High-capacity design - up to 1200 CFM
- 24 GA. CRCQ steel, black electrically-bonded epoxy finish
- Built-in spring-loaded backdraft damper and bird screen
- For use with High Performance blower system

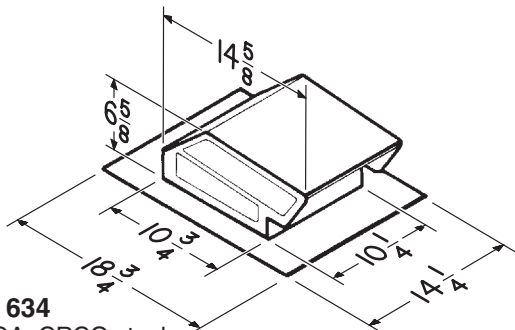


Model 636

- 24 GA. CRCQ steel, black electrically-bonded epoxy finish
- Built-in backdraft damper and bird screen
- For 3" or 4" round duct

Model 636AL

- Same as Model 636 .025 - in Aluminum
- Natural finish



Model 634

- 24 GA. CRCQ steel, black electrically-bonded epoxy finish
- Built-in backdraft damper and bird screen
- For 3 1/4" x 10" or up to 8" round duct

Model 634M

- Same as Model 634 except with 6" round duct collar

Model 644

- Same as Model 634 except .025 aluminum
- Natural finish

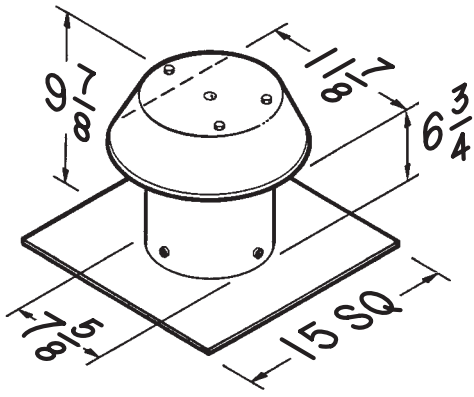
Model 443 Flexible Roof Ducting Kit

- Includes 8 ft. of 4", flexible, vinyl ducting, 4" diameter metal duct connector, 2 duct clamps, 4" to 3" reducer and Model 636 Roof Cap

Model RVK1A Flexible Roof Ducting Kit

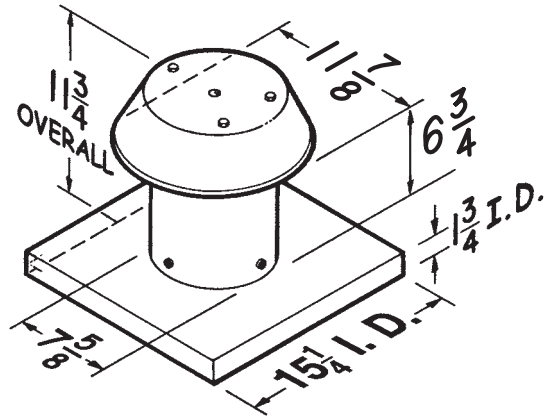
- Includes 8 ft. of 4", flexible, 2-ply metallic laminate ducting, 4" diameter metal duct connector, 2 duct clamps, 4" to 3" reducer and Model 636 Roof Cap
- Duct conforms to UL181 Class 1 air connector requirements
- Not recommended for dryer venting

REFERENCE	QTY.	REMARKS	Project
			Location
			Architect
			Engineer
			Contractor
			Submitted by Date



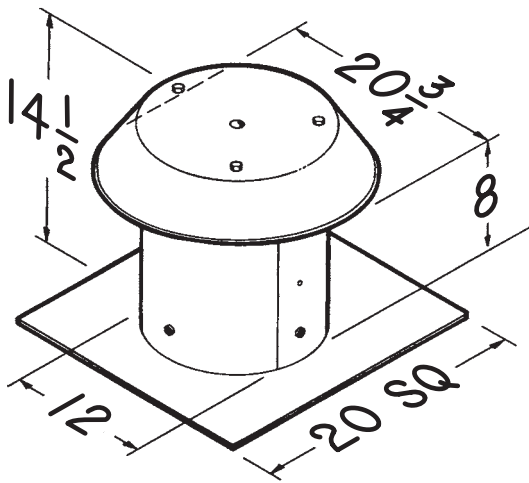
Model 611

- For flat roof installation
- .025 Aluminum - natural finish
- Built-in bird screen
- For up to 8" round duct



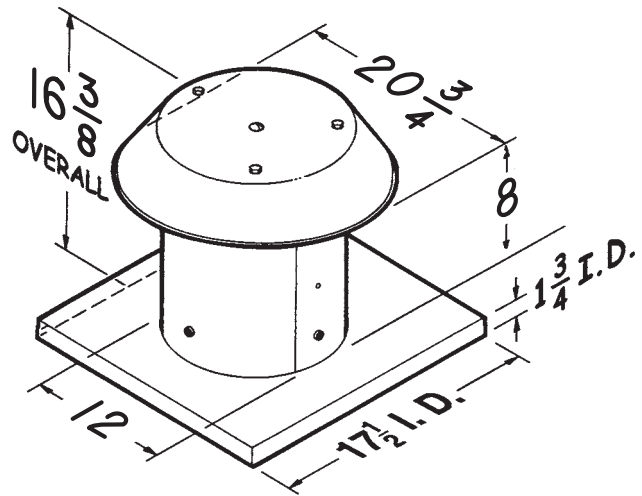
Model 611CM

- For curb mount installation
- Other features same as Model 611



Model 612

- For flat roof installation
- .025 Aluminum - natural finish
- Built-in bird screen
- For up to 12" round duct



Model 612CM

- For curb mount installation
- Other features same as Model 612