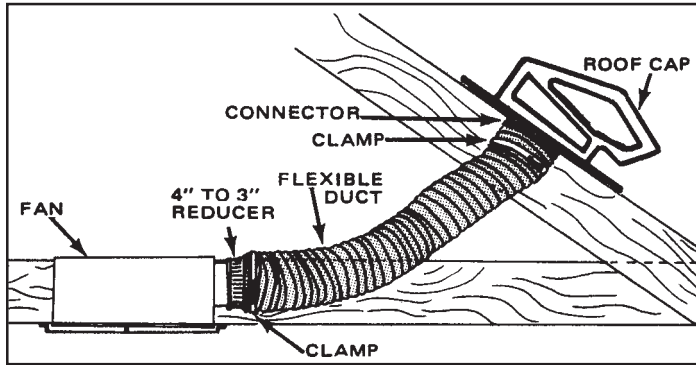


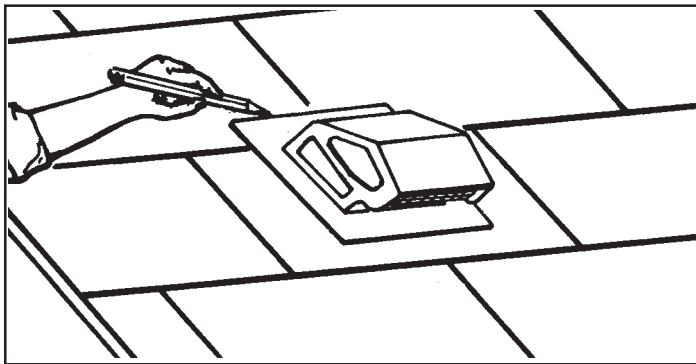
## ROOF VENT KIT INSTALLATION INSTRUCTIONS

Plan installation carefully. Roof cap will accept 3" or 4" round duct. Tape all joints with duct tape to prevent air and water leaks.

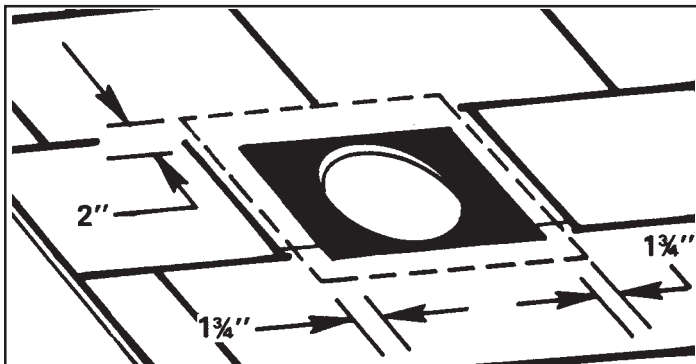
NOTE: DO NOT INSTALL THE ROOF CAP ON A FLAT ROOF.



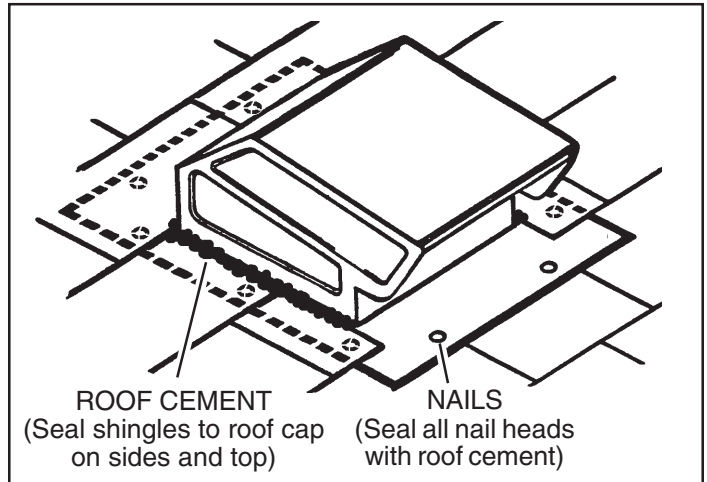
1. Cut a 5" diameter hole through roof boards and shingles.
2. Insert 4" metal duct connector into opening in bottom of roof cap.
3. Insert duct connector/roof cap assembly into hole in roof.



4. Trace outline of roof flange onto shingles.

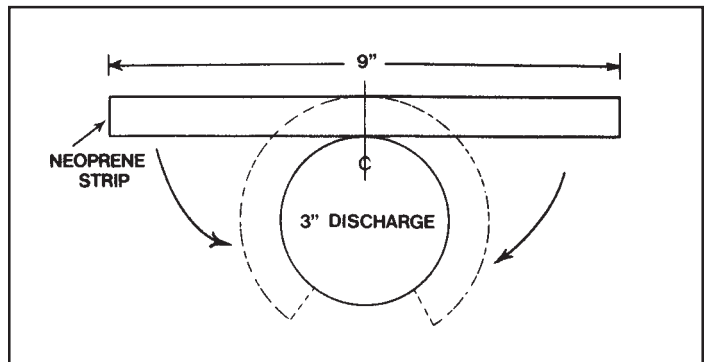


5. Trim shingles as shown, so they will fit snugly around hood of roof cap when installed. Seal all around duct with roof cement.
6. Slide 4" hose clamp over end of flexible hose and attach hose to connector. Tighten clamp securely.
7. Insert hose and connector into hole in roof.



8. Carefully lift shingles and slide back flange of roof cap under shingles. Nail flange to roof under shingles at top and two sides. Nail directly to roof at bottom.
9. Use roof cement to seal shingles to top and sides of roof cap. Seal all nail heads with roof cement as well.

NOTE: Use as short a duct run as possible, for best fan performance. If the 8-foot length is more than needed, cut hose to desired length.



10. Slide hose clamp over free end of hose and fasten hose to fan discharge collar.

NOTE: If discharge collar on fan is 3" diameter, use the neoprene strip to increase the diameter to 4".

To install the neoprene strip:

1. Center it on the top of the discharge collar.
2. Remove the paper backing.
3. Smoothly wrap it around the discharge collar so that the pressure-sensitive adhesive holds it in place.