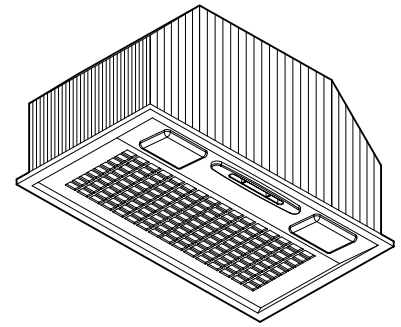


### MODEL PM390 POWER PACK



#### FEATURES

- Multi speed control
- Centrifugal blower, 390 CFM, 6.0 Sones
- 6" round duct connector/backdraft damper
- Enclosed light
- Accepts two incandescent max. 40-watt candelabra bulb (not included)
- One piece washable aluminum mesh filter
- Durable, powder coated silver finish
- Heat Sentry™ automatically turns blower to high speed when excess cooking heat is detected
- Fully enclosed bottom
- Power supply cord included
- One Year Limited Warranty
- Recommended for use with Models LB30, LB36, LT30, and LT36 Liners

#### OPTIONAL ACCESSORIES:

- Model 357NDK Non-ducted recirculating kit (includes charcoal filter, soffit grille, 90° stack boot, and 6" to 7" round transition)
- Disposable charcoal filter kit - part no. B08999040



HVI-2100 CERTIFIED RATINGS comply with new testing technologies and procedures prescribed by the Home Ventilating Institute, for off-the-shelf products, as they are available to consumers. Product performance is rated at 0.1 in. static pressure, based on tests conducted in AMCA's state-of-the-art test laboratory. Sones are a measure of humanly-perceived loudness, based on laboratory measurements.

#### TYPICAL SPECIFICATION

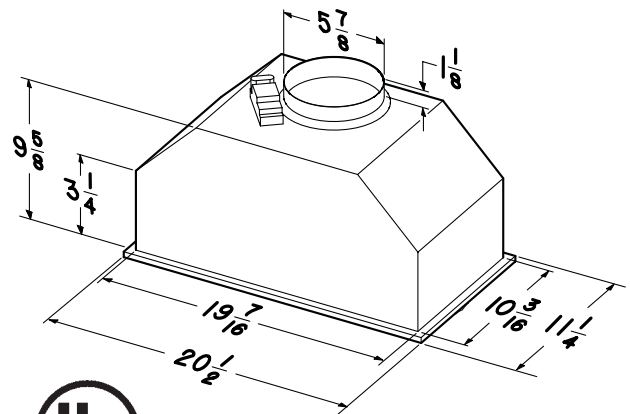
Power Pack shall be Broan<sup>®</sup> (NuTone<sup>®</sup>) Model PM390. Power Pack shall have a multi-speed fan switch and separate light switch.

Fan must be convertible between ducted and non-ducted discharge. Ducted mode uses a washable aluminum mesh filter. Non-ducted mode uses optional, disposable charcoal filter.

Unit shall have a durable, powder coated finish.

Air delivery to be at least 390 CFM and sound levels not greater than 6.0 Sones.

Unit shall be UL and cUL listed.



REFERENCE	QTY.	REMARKS	Project
an <i>EefaCo.</i> Store 1-877-275-9111			Location
			Architect
			Engineer
			Contractor
			Submitted by