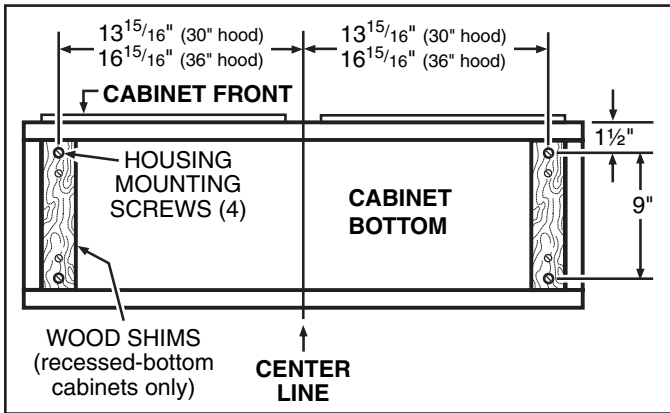


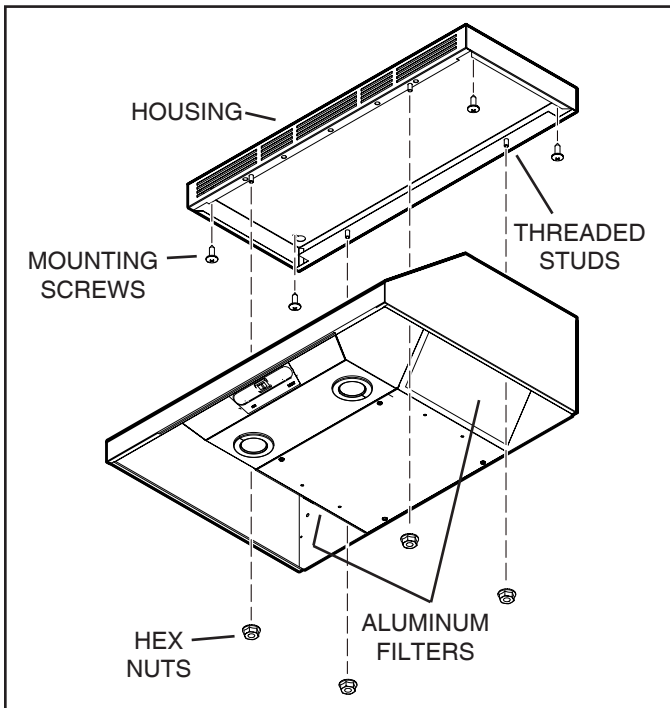


NDK358 SERIES NON-DUCT FILTER KIT

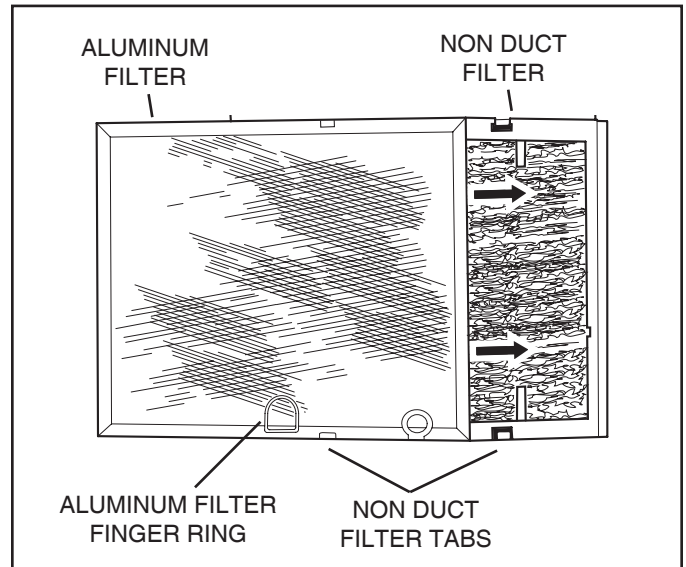
For use with Broan AP Series or RP2 Series range hoods.



1. Screw the 4 MOUNTING SCREWS (provided) into the CABINET BOTTOM where shown. Recessed-bottom cabinets require WOOD SHIMS to be secured to the cabinet bottom before attaching the mounting screws.



2. Lift the hood up and over the 4 THREADED STUDS. Secure hood to HOUSING with 4 HEX NUTS (provided).



3. Remove ALUMINUM FILTERS from hood (if previously installed).
4. Slide ALUMINUM FILTERS beneath TABS on NON DUCT FILTERS. Make sure FINGER RING faces outward. Install filters into hood with ALUMINUM FILTERS facing outward.

Replacement Filters:

- Non-Duct Filter88F
- Aluminum Filter (Qty. 2)97017455
- Aluminum Filter with Microban® (Qty. 2).....97017456

an *SefaCo.* Store
1-877-275-9111