

QuietTest Heat-A-Ventlite®

MODEL: QT-9093 SERIES

DESCRIPTION

- Quiet QuietTest ventilation in classic Heater, Fan and Light combination fixture. Quick heat with efficiently designed 1500w heating element and aluminum blower to distribute heat evenly.
- Polypropylene blower exhausts odor, steam and stale air. Includes quiet non-metallic backdraft damper.
- Automatic reset thermal protection.
- Expansion-type hanger bars for joists up to 24" o.c.; mounting brackets adjust for up to 3/4" plaster thickness.
- Detachable junction box features three (3) wiring knockouts.
- One-piece diecast grille with pebble-texture bezel is available in a choice of three finishes: Polished Brass, Chrome or White Enamel. 8" diameter glass lens extends only 3" from ceiling.
- Uses one (1) 100w bulb and one (1) 7w bulb (for night light). Purchase bulbs locally.
- Connects to standard 4" round duct.
- Wall switch with separate on/off controls for all four functions is included with each unit. Or, may be used with any standard in-line thermostat to control the heat cycle.
- Refer to NuTone's catalog or web site (www.nutone.com) for a complete line of accessories to effectively adapt this unit to your construction requirements.

INSTALLATION

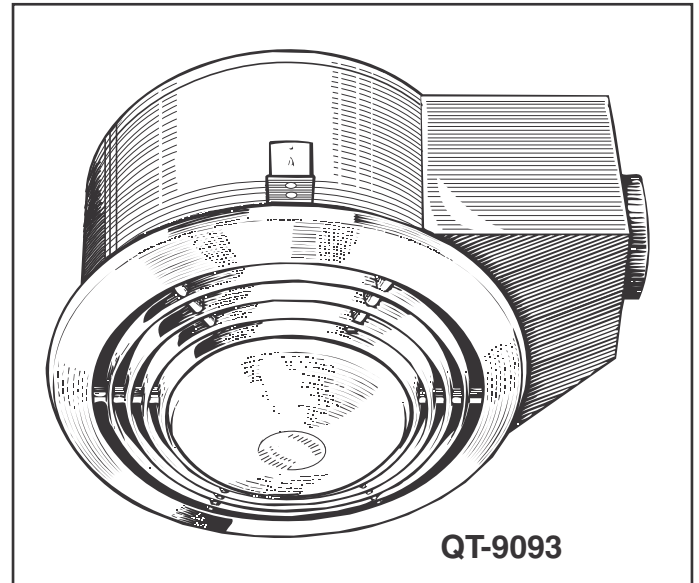
- Detailed installation instructions are included with each unit.

ARCHITECT'S SPECIFICATIONS

QuietTest Heat-A-Ventlite® shall be Model Number (specify) as manufactured by NuTone according to listed specifications.

Specify Model Number:

Model Number	Grille Finish
QT-9093BR	Polished Brass
QT-9093CH	Chrome
QT-9093WH	White



DESIGN FEATURES

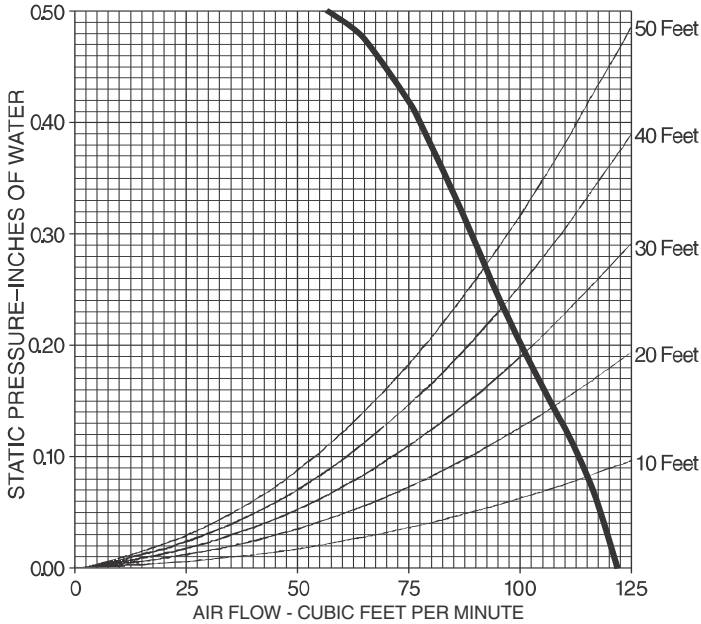
- Air Delivery:** 110 CFM.
Sound Level: 3.0 Sones.
Electrical Rating: 120 volts, 1717 watts
Dimensions: **Housing:** 13 1/4" x 18 1/8" x 7 1/2" deep.
Grille: 15 3/8" diameter x 3" extension from ceiling.
Reflector: 7" diameter.
Lens: 8" diameter.
Material & Finish: **Housing:** Galvanized steel.
Grille: Die-cast zinc with Polished Brass, Chrome or White Enamel finish.
Reflector: Steel with white enamel finish.
Lens: Glass.
Motor: **Ventilator:** Thermally protected.
Heater: Thermally protected.
Impeller: **Ventilator:** (1) Polymeric.
Heater: (1) Aluminum.
Heating Element: Nickel-chrome, open coil 1500w.
Duct Size: 4" round.

CERTIFIED TEST DATA



HVI-2100 CERTIFIED RATINGS comply with new testing technologies and procedures prescribed by the Home Ventilating Institute, for off-the-shelf products, as they are available to consumers. Product performance is rated at 0.1 in. static pressure, based on tests conducted in AMCA's state-of-the-art test laboratory. Sones are a measure of humanly-perceived loudness, based on laboratory measurements. This NuTone model is listed by Underwriters' Laboratories Inc.

AIR PERFORMANCE CURVE
(4 In. Duct)



STATIC PRESSURE (INCHES OF WATER)	0.05	0.1	.125	0.15	0.2	0.25	0.3	0.35	0.4	0.45	0.70
Air flow (CFM)	116	112	105	104	100	94	88	83	72	58	0

The air delivery of a ventilating system may be determined by:

1. Determine the equivalent duct length for each 90 degree elbow by adding one foot of duct length for each inch of duct diameter, i.e., a 4 inch diameter duct elbow equals 4 feet equivalent duct length and an 8 inch diameter duct elbow equals 8 feet equivalent duct length.
2. Add the total straight length of duct and the equivalent length for each elbow to obtain the total equivalent duct length.
3. Locate the intersection of the fan performance curve and the total equivalent duct length curves and draw a vertical line down to the CFM scale and read the system air performance.