

NuTone®

**READ & SAVE THESE INSTRUCTIONS!
INSTALLATION INSTRUCTIONS**

Heat-A-Ventlite®

MODELS: QT-9093 SERIES

**IMPORTANT: DO NOT MOUNT OVER TUB
OR IN SHOWER STALL ENCLOSURE.**

PRECAUTIONS

- Observe all requirements in this instruction sheet and all markings appearing on the unit.
- Check all operations of the unit after installation has been completed.
- **The heater housing must be grounded and the wiring must comply with all local electrical codes.**
- The flange of the rough-in housing **MUST** be flush with the finished plaster or drywall surface to assure proper and absolutely safe operation.
- If plaster material, paint base or paint is sprayed on the walls or ceiling, the inside of the housing must be masked off to prevent this material from entering the housing.
- The switch (furnished) must be wired in accordance with the wiring diagram.
- For installation in sloped ceilings up to 12/12 pitch.
- Ductwork must point up.

PREPARATION

Refer to Figure 1.

1. Loosen two screws holding grille in place. Remove grille and set aside. Remove housing, switch assembly, hanger bar and mounting brackets from carton.
2. Loosen four (4) screws holding heater power unit in place. Remove heater power unit and set aside.

MOUNTING TO OPEN JOISTS IN NEW CONSTRUCTION

1. Install hanger brackets in keyhole slots in housing. Insert hanger bar through bracket opposite blower vent.
2. Refer to Figure 2. Position housing between joists with exhaust vent in desired direction.

Secure side hanger brackets and ends of adjustable hanger bar to joists with screws or nails. If joist spacing is greater than 16" O.C., construct framing to support sides of housing, (Refer to Figure 3). Position housing against joists and secure with wood screws through keyhole slots in housing.

3. Loosen screws securing hanger brackets to housing and adjust height of housing so that bottom flange will be flush with finished ceiling. Tighten screws securely.
4. Attach 4" round duct and run ductwork to the outside through wall or roof.

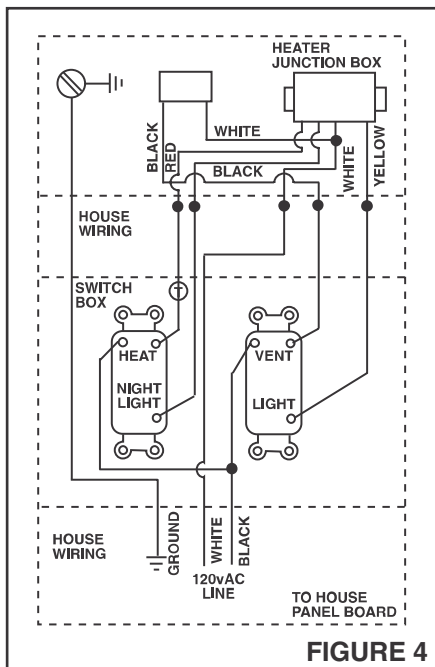


FIGURE 4

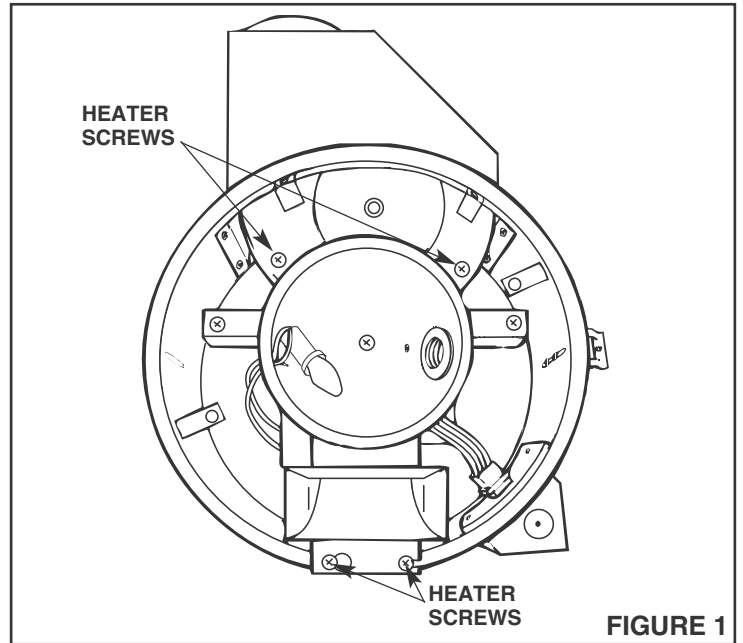


FIGURE 1

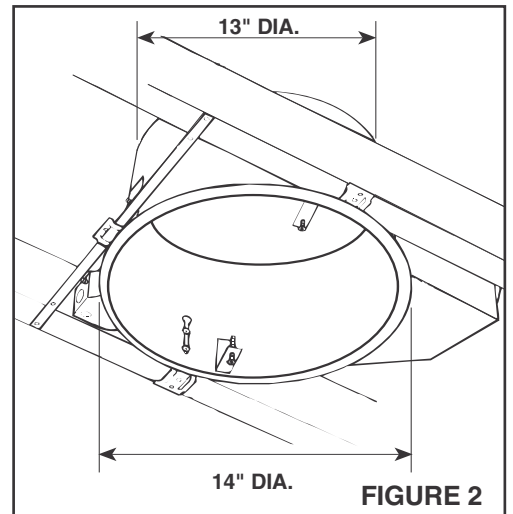


FIGURE 2

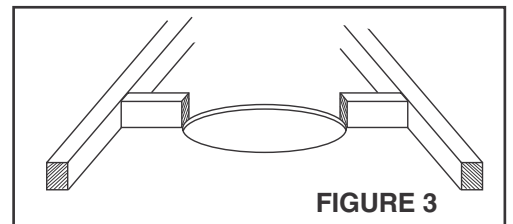


FIGURE 3

WIRING

115-120 volts (20 amp circuit only), 12 gauge wire.

1. Remove desired knockout from junction box and install a box connector (not provided).
2. Refer to Figure 4. Run 120vAC supply wiring to wall switch box. Run wiring from wall switch box to heater. Five conductors plus ground are required for independent operation of all functions.
3. When a thermostat or timer switch is used, connect at point marked "T" on Figure 4.
4. Make wiring connections using wire nuts. Connect ground wire under ground screw in junction box.
5. Push wiring back into junction box and install junction box cover being careful not to pinch wiring between cover and housing. Secure cover.

COMPLETING INSTALLATION

1. Reinstall the heater unit and tighten four (4) screws securely.
2. Plug fan and heater assemblies to receptacles on junction box cover.
3. Install a 100 watt lamp in light socket and 7 watt lamp in night light socket.
4. Place grille over grille mounting screws and tighten.
5. Check out all functions for proper operation.

INSTALLATION IN EXISTING CONSTRUCTION

Refer to Figure 5.

NOTE: In existing construction, hanger bar and mounting brackets are not used.

1. Determine desired location of heater. Area above heater must be free of plumbing and electrical wiring. There must be enough clearance above ceiling for heater housing and installation of duct and wiring.
2. Drill a small hole up through ceiling and insert a wire or nail to help in locating from above.
3. Locate hole from above. Center heater housing between joists and use the bottom flange of housing as a template to mark cutout. Cut out hole in ceiling.
4. **Refer to Figure 3.** Secure short pieces of 1" x 3" lumber ($\frac{3}{4}$ " nominal) to joists on either side of opening. Leave approximately $\frac{1}{2}$ " between top of ceiling so that flange of heater housing can slide under spacers. If joist spacing is greater than 16" O.C., cut spacers of 2" x 4" lumber to fit between housing and joists.
5. Place heater over opening and between spacers. From below, align housing so flange is flush with finished ceiling. Secure to spacers with nails or wood screws through keyhole slots. **NOTE:** If necessary, housing can be installed from below by removing vent blower, vent housing, and outlet box.
6. Install 4" duct and refer to previous section of these instructions for Wiring and Completing Installation.

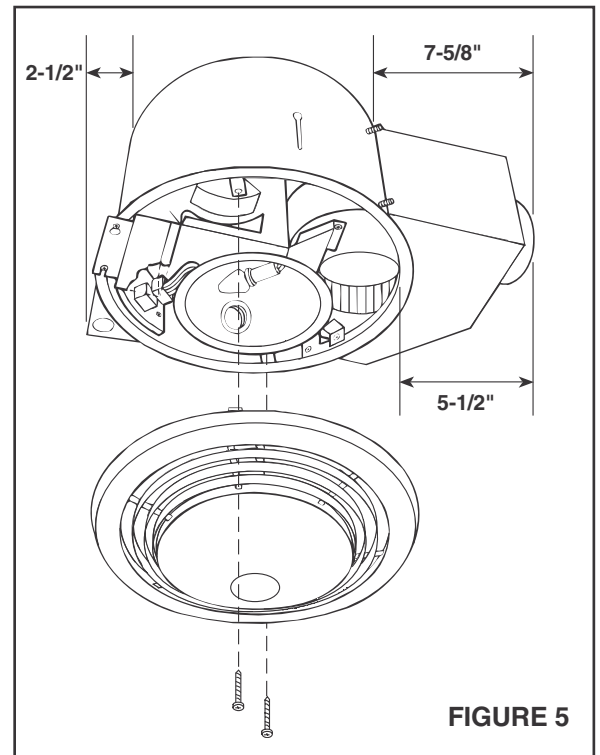


FIGURE 5