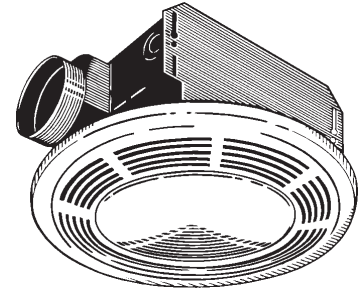


SPECIFICATION SHEET

MODEL 750 FAN-LIGHT COMBINATION with Round Polymeric Grille



FEATURES

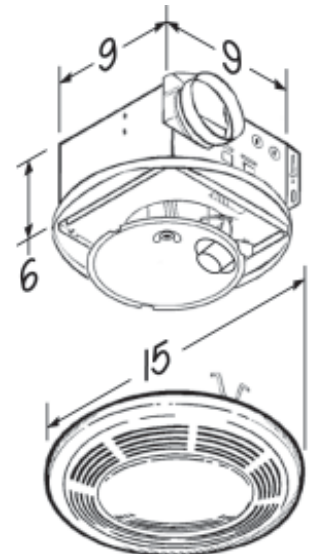
- White polymeric grille impervious to bathroom climate.
- Powerful Deluxe Fan-Light Combination units quietly remove stale, steamy air from bathrooms up to 95 sq. ft., other rooms up to 125 sq. ft.
- Glass lens brightly diffuses 100 watt bulb (purchase bulb separately). Lens extends only 1⁵/₈" from finished ceiling.
- Polypropylene blower wheel performs efficiently with a minimum of sound.
- Tapered duct adapter with built-in damper for easy installation to 4" round duct.
- May be wired for simultaneous or separate fan light operation.
- Includes 7 watt energy-saving night light assembly (purchase bulb separately).
- U.L. listed for use in a tub/shower stall enclosure when used with GFCI branch circuit wiring.
- Type IC for use in contact with thermal insulation.
- Not for use in kitchens.
- Refer to Broan's catalog for a complete line of accessories to effectively adapt this unit to your construction requirements.

SPECIFICATIONS

VOLTS	Hz	AMPS	CFM	SONES
120	60	1.9	100	3.5

TYPICAL SPECIFICATION

Fan-Light Combination shall be Broan Model 750. Housing shall be galvanized steel, measuring 9" x 9" x 6" and connect to 4" diameter duct. Motor must be designed for continuous duty and be thermally protected. Grille to be white-finished, polymeric with removable glass light lens. Air delivery shall be no less than 100 CFM and sound level no greater than 3.5 sones. Air and sound ratings shall be certified by HVI. Fan-Light Combination to be U.L. listed.



Overall height of grille / lens = 1⁵/₈"

REFERENCE	QTY.	REMARKS	Project
			Location
			Architect
			Engineer
			Contractor
			Submitted by Date