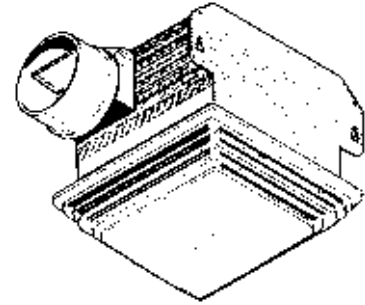


# SPECIFICATION SHEET

## MODEL 676 CEILING/WALL FAN



**Dependable, high performance bathroom ventilation.**

### FEATURES

#### GRILLE:

- Attractive grille conceals interior
- Matte white polymeric – blends well with any decor
- Torsion spring grille mounting – no tools required
- White, metal grille kit available (purchase separately)

#### BLOWER:

- Plug-in, permanently lubricated motor
- Centrifugal blower wheel

#### HOUSING:

- Rugged, 26-gage galvanized steel construction
- Sturdy key-holed mounting brackets for quick, accurate installation
- Tapered, polymeric duct fitting with built-in backdraft damper for easy, positive duct connection and no metallic clatter

**Model 2687H & 3687H:** Rough-in housings for 2676F finish assemblies (packed 4 per carton). 3687H housings include slide channels and mounting brackets. U.L. Listed for use over bathtubs and showers when connected to a GFCI protected branch circuit

### SPECIFICATIONS

MODEL	VOLTS	AMPS	SONES	CFM	DUCT
676	120	1.3	4.0	110	4" Round



HVI-2100 CERTIFIED RATINGS comply with new testing technologies and procedures prescribed by the Home Ventilating Institute, for off-the-shelf products, as they are available to consumers. Product performance is rated at 0.1 in. static pressure, based on tests conducted in AMCA's state-of-the-art test laboratory. Sones are a measure of humanly-perceived loudness, based on laboratory measurements.

### TYPICAL SPECIFICATION

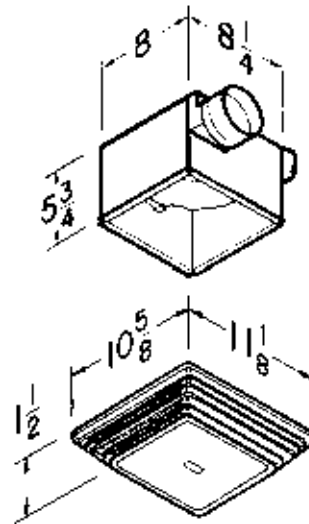
Ventilator shall be Broan Model 676.

Unit shall have a galvanized steel housing with dual integral mounting brackets. It shall be ducted to a roof or wall cap.

Blower assembly shall be removable and have a centrifugal blower wheel and permanently lubricated motor.

Air delivery shall be no less than 110 CFM and sound level no greater than 4.0 Sones. Air and sound ratings shall be certified by HVI.

Unit shall be U.L. Listed for use over bathtubs and showers when connected to a GFCI protected branch circuit.



REFERENCE	QTY.	REMARKS	Project
			Location
			Architect
			Engineer
			Contractor
			Submitted by <span style="float: right;">Date</span>