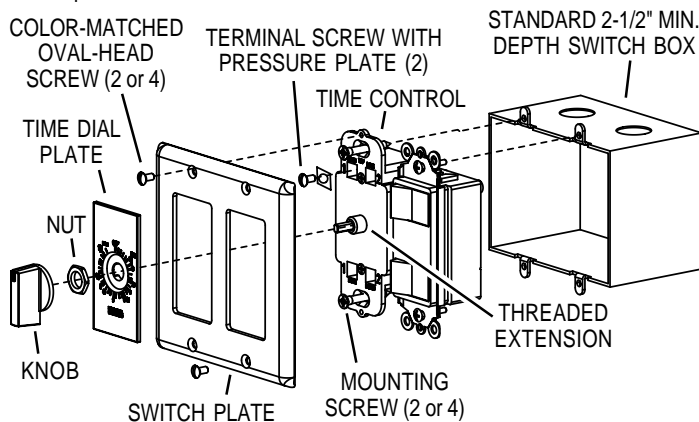


INSTALLATION INSTRUCTIONS

- ALL ELECTRICAL CONNECTIONS MUST BE IN ACCORDANCE WITH LOCAL CODES, ORDINANCES, OR NATIONAL ELECTRICAL CODE, AS APPLICABLE. **FOR SAFETY, THIS PRODUCT MUST BE GROUNDED.** IF YOU ARE UNFAMILIAR WITH METHODS OF INSTALLING ELECTRICAL WIRING, SECURE THE SERVICES OF A QUALIFIED ELECTRICIAN.
- Turn off power and lock out service panel before installing, wiring, or servicing this product.
- To prevent serious injury from electrical shock or damage to electrical components - **DONOT WIRE HOT!**
- Warranty is void if miswired.
 1. Turn off power and lock out service panel before wiring control.
 2. Install a 2½" deep switch box if using 14-gauge wire. Install a 2¾" deep switch box if using 12-gauge wire. (Single-gang box for time control only. Double-gang box for time control w/rocker switch.)
 3. Attach incoming power line and fan power line to **switch box**. It may be necessary to use two side knockouts for some applications.
 4. Make electrical connections as shown. Use proper electrical connectors. Make sure that **time control**, (rocker switch) and appliance are properly grounded.
 5. Tuck wires into box. Fasten time control (and rocker switch) to box with mounting screws. Note "TOP" direction shown on time control face.
 6. Attach **switch plate** using **color-matched oval head screws**.
 7. Slip the **time dial plate** over the **threaded extension** with "OFF" mark at top. Fasten with nut. **DO NOT OVERTIGHTEN.**
 8. Push **knob** onto time control shaft. The knob has a "D-shaped" hole which matches the "D-shaped" shaft on the time control.



Time Control w/ Dual Rocker Switch and double-gang switch box shown.

TIME CONTROL OPERATING INSTRUCTIONS

Depending on model, time control will operate fan at any interval from 1 minute up to 15 minutes, 1 minute up to 60 minutes, or 1 hour to 12 hours. Turn indicator knob past "TURN PAST" and then to desired time setting. Timer will automatically shut fan off at the end of the set time period. Timer will provide continuous fan operation when indicator knob is turned to "HOLD" position. (Not on 15-min. time control).

BROAN-NUTONE ONE YEAR LIMITED WARRANTY

Broan-NuTone warrants to the original consumer purchaser of its products that such products will be free from defects in materials or workmanship for a period of one year from the date of original purchase. THERE ARE NO OTHER WARRANTIES, EXPRESS OR IMPLIED, INCLUDING, BUT NOT LIMITED TO, IMPLIED WARRANTIES OF MERCHANTABILITY OR FITNESS FOR A PARTICULAR PURPOSE.

During this one-year period, Broan-NuTone will, at its option, repair or replace, without charge, any product or part which is found to be defective under normal use and service.

THIS WARRANTY DOES NOT EXTEND TO FLUORESCENT LAMP STARTERS AND TUBES. This warranty does not cover (a) normal maintenance and service or (b) any products or parts which have been subject to misuse, negligence, accident, improper maintenance or repair (other than by Broan-NuTone), faulty installation or installation contrary to recommended installation instructions.

The duration of any implied warranty is limited to the one-year period as specified for the express warranty. Some states do not allow limitation on how long an implied warranty lasts, so the above limitation may not apply to you. BROAN-NUTONE'S OBLIGATION TO REPAIR OR REPLACE, AT BROAN-NUTONE'S OPTION, SHALL BE THE PURCHASER'S SOLE AND EXCLUSIVE REMEDY UNDER THIS WARRANTY. BROAN-NUTONE SHALL NOT BE LIABLE FOR INCIDENTAL, CONSEQUENTIAL OR SPECIAL DAMAGES ARISING OUT OF OR IN CONNECTION WITH PRODUCT USE OR PERFORMANCE. Some states do not allow the exclusion or limitation of incidental or consequential damages, so the above limitation or exclusion may not apply to you.

This warranty gives you specific legal rights, and you may also have other rights, which vary from state to state. This warranty supersedes all prior warranties.

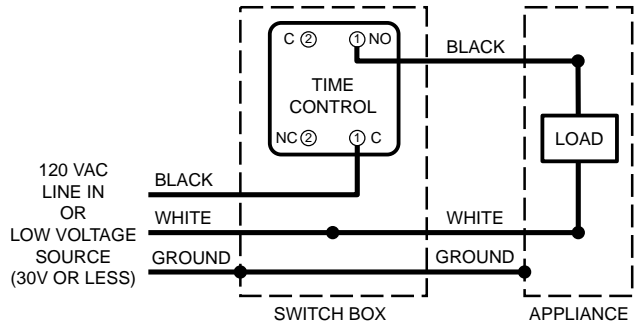
To qualify for warranty service, you must (a) notify Broan-NuTone, (b) give the model number and part identification and (c) describe the nature of any defect in the product or part. At the time of requesting warranty service, you must present evidence of the original purchase date.

WIRING DIAGRAMS

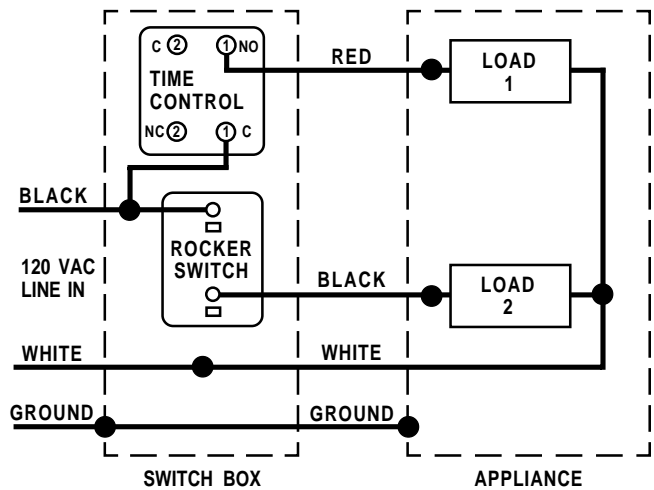
IMPORTANT NOTE

The time control is designed with "NO" (Normally Open) and "NC" (Normally Closed) contacts. The standard installation uses the "NO" contacts (see wiring diagrams below).

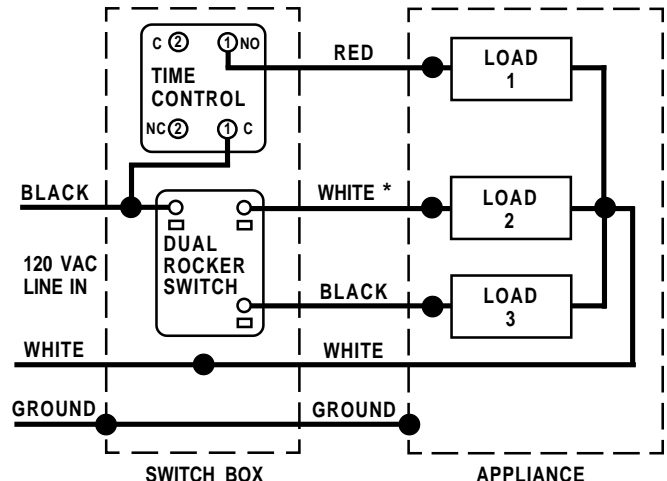
TIME CONTROL



TIME CONTROL W/ ROCKER SWITCH



TIME CONTROL W/ DUAL ROCKER SWITCH



* CODE REQUIRES BOTH ENDS OF THIS WIRE BE COLORED SINCE IT IS SWITCHED. USE A PERMANENT MARKER.