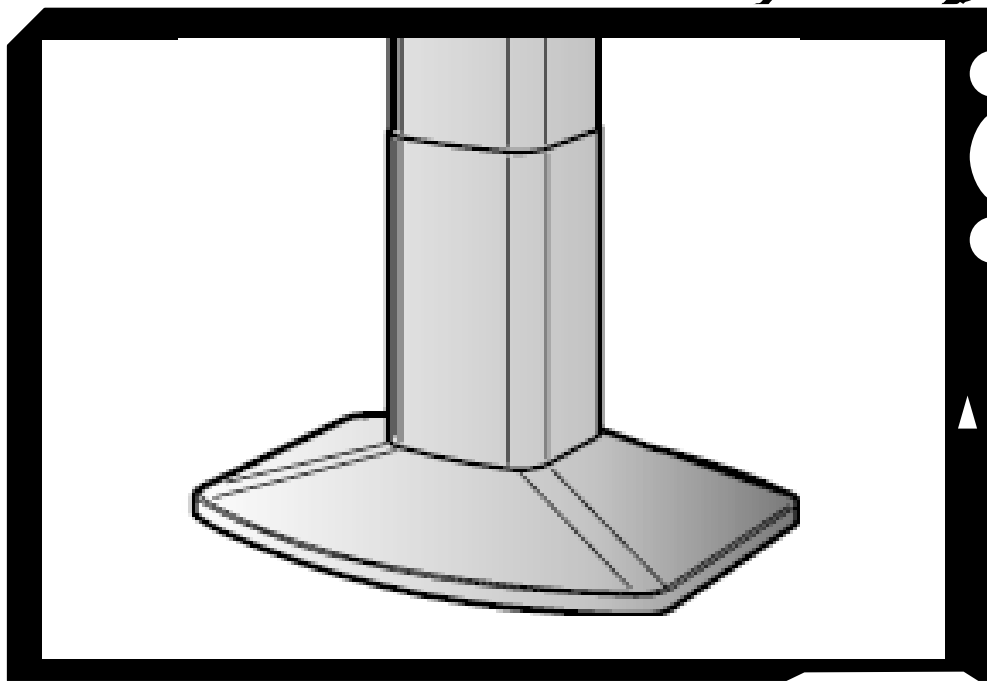


BROAN[®] *Elite*



Model E54000

ENGLISH.....2

an *EefaCo.* Store
1-877-275-9111

READ AND SAVE THESE INSTRUCTIONS

⚠ INTENDED FOR DOMESTIC COOKING ONLY ⚠

⚡ ⚠ WARNING

TO REDUCE THE RISK OF FIRE, ELECTRIC SHOCK, OR INJURY TO PERSONS, OBSERVE THE FOLLOWING:

1. Use this unit only in the manner intended by the manufacturer. If you have questions, contact the manufacturer at the address or telephone number listed in the warranty.
2. Before servicing or cleaning unit, switch power off at service panel and lock service panel to prevent power from being switched on accidentally. When the service disconnecting means cannot be locked, securely fasten a prominent warning device, such as a tag, to the service panel.
3. Installation work and electrical wiring must be done by a qualified person(s) in accordance with all applicable codes and standards, including fire-rated construction codes and standards.
4. Sufficient air is needed for proper combustion and exhausting of gases through the flue (chimney) of fuel burning equipment to prevent backdrafting. Follow the heating equipment manufacturer's guidelines and safety standards such as those published by the National Fire Protection Association (NFPA), and the American Society for Heating, Refrigeration and Air Conditioning Engineers (ASHRAE), and the local code authorities.
5. When cutting or drilling into wall or ceiling, do not damage electrical wiring and other hidden utilities.
6. Ducted fans must always be vented to the outdoors.
7. Do not use this unit with any separate solid-state speed control device.
8. To reduce the risk of fire, use only metal ductwork.
9. This unit must be grounded.

TO REDUCE THE RISK OF A RANGE TOP GREASE FIRE:

- A. Never leave surface units unattended at high settings. Boilovers cause smoking and greasy spillovers that may ignite. Heat oils slowly on low or medium settings.
- B. Always turn hood ON when cooking at high heat or when cooking flaming foods. (i.e. Crepes Suzette, Cherries Jubilee, Peppercorn Beef Flambe').
- C. Clean ventilating fans frequently. Grease should not be allowed to accumulate on fan or filter.
- D. Use proper pan size. Always use cookware appropriate for the size of the surface element.

⚡ ⚠ WARNING

TO REDUCE THE RISK OF INJURY TO PERSONS IN THE EVENT OF A RANGE TOP GREASE FIRE, OBSERVE THE FOLLOWING:*

1. **SMOTHER FLAMES** with a close-fitting lid, cookie sheet, or metal tray, then turn off the burner. **BE CAREFUL TO PREVENT BURNS.** If the flames do not go out immediately, **EVACUATE AND CALL THE FIRE DEPARTMENT.**
2. **NEVER PICK UP A FLAMING PAN** - You may be burned.
3. **DO NOT USE WATER**, including wet dishcloths or towels - violent steam explosion will result.
4. Use an extinguisher **ONLY** if:
 - A. You know you have a Class ABC extinguisher and you already know how to operate it.
 - B. The fire is small and contained in the area where it started.
 - C. The fire department is being called.
 - D. You can fight the fire with your back to an exit.

* Based on "Kitchen Fire Safety Tips" published by NFPA.

CAUTION

1. To reduce risk of fire and to properly exhaust air, be sure to duct air outside. Do not vent exhaust air into spaces within walls or ceilings or into attics, crawl spaces, or garages.
2. Take care when using cleaning agents or detergents.
3. Avoid using food products that produce flames under the Range Hood.
4. For general ventilating use only. Do not use to exhaust hazardous or explosive materials and vapors.
5. To avoid motor bearing damage and noisy and/or unbalanced impellers, keep dry-wall spray, construction dust, etc. off power unit.
6. Your hood motor has a thermal overload which will automatically shut off the motor if it becomes overheated. The motor will restart when it cools down. If the motor continues to shut off and restart, have the hood serviced.
7. For best capture of cooking impurities, the bottom of the hood should be a minimum of 24" and a maximum of 30" above the cooking surface. See "Prepare Support Frame" section for mounting restrictions.
8. Two installers are recommended because of the large size and weight of this hood.
9. This product is equipped with a thermostat which may start blower automatically. To reduce the risk of injury and to prevent power from being switched on accidentally, switch power off at service panel and lock or tag service panel.
10. Use with approved cord-connection kit only.
11. Please read specification label on product for further information and requirements.

OPERATION

Controls

The hood is operated using the slide controls under the bottom of the hood.

The **light switch** turns the lamps on and off.

The **blower switch** turn the blower on to three speed settings:

- 0 - OFF
- 1 - LOW SPEED
- 2 - MEDIUM SPEED
- 3 - HIGH SPEED

The **pilot lamp** lights up whenever the blower is on.

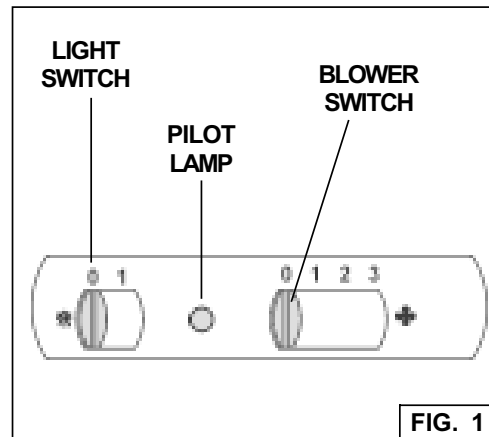


FIG. 1

HEAT SENTRY™

Your hood is equipped with a HEAT SENTRY™ thermostat. This thermostat is a device that will turn on or speed up the blower if it senses excessive heat above the cooking surface.

- 1) If blower is OFF - it turns blower ON to HIGH speed.
 - 2) If blower is ON at a lower speed setting - it turns blower up to HIGH speed.
- When the temperature level drops to normal, the blower will return to its original setting.

⚠ WARNING: The HEAT SENTRY thermostat can start the blower even if the hood is turned OFF. When this occurs, it is impossible to turn the blower OFF with its switch. If you must stop the blower, do it from the main electrical panel.

HALOGEN BULBS

This range hood requires (4) halogen bulbs (Type T3, 12Volt, 20 Watt Max, G-4 Base).

⚠ WARNING: Always switch off the electricity supply before carrying out any operations on the appliance.

To change bulbs:

1. Loosen the ring nut by turning it counterclockwise.
2. Remove the bulb by pulling sideward(DO NOT ROTATE).

⚠ CAUTION: Bulb may be hot!

3. Replace with Type T3, 12Volt, 20 Watt Max, G-4 Base halogen bulb. Do not touch replacement bulb with bare hands!

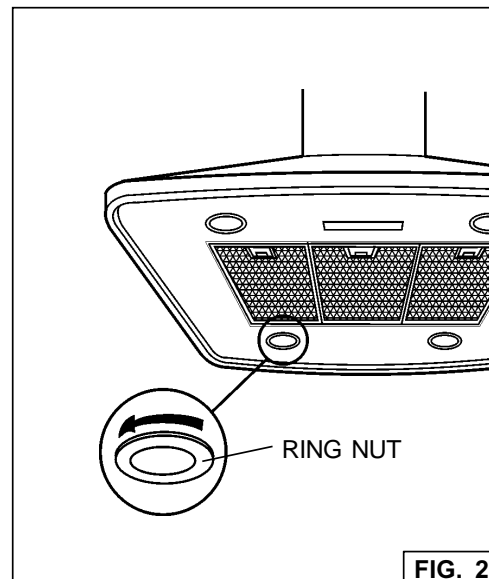


FIG. 2

Do not use bulbs greater than 20 Watts. Bulbs greater than 20 Watts will cause fuse to open.

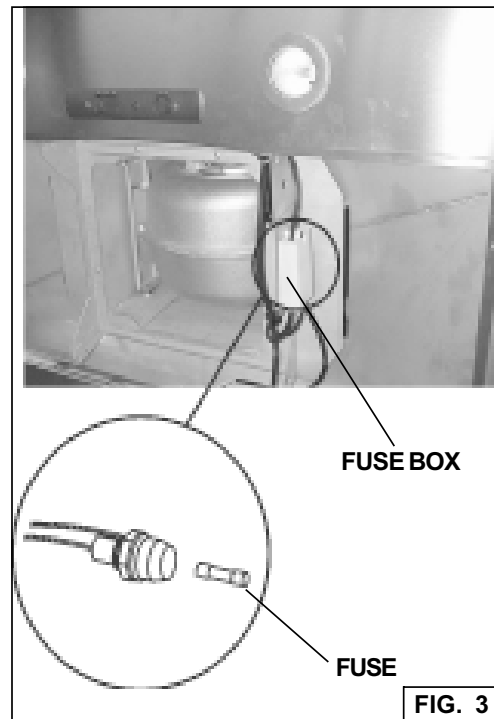
FUSE REPLACEMENT

IF LIGHTS FAIL TO OPERATE, DISCONNECT THE POWER AT THE SERVICE ENTRANCE. CHECK THE FUSE AND REPLACE IF NECESSARY.

1. Remove the grease filters.
2. Remove the cover of the fuse box.
3. Locate the fuse holder. Unscrew its cap and remove the fuse.
4. Replace the fuse with the same size and amperage (5x20mm, 4amp, 125volt).

Do not use fuses greater than 4 amps. Fuses greater than 4 amps may damage the transformer.

5. Reinstall the fuse holder cap, fuse box cover and grease filters.
6. Reconnect power at the service entrance.



MAINTENANCE

Proper maintenance of the Range Hood will assure proper performance of the unit.

Grease Filter

The **grease filter** should be cleaned frequently. Use a warm detergent solution. Grease filter is dishwasher safe.

See "INSTALL FILTERS" section for removal and installation instructions.

Non-ducted Recirculation Filter

The non-ducted recirculation filter should be changed every 6 months. See "INSTALL FILTERS" section for removal and installation instructions.

Hood Cleaning

Stainless steel is one of the easiest materials to keep clean. Occasional care will help preserve its fine appearance.

Cleaning tips:

- Hot water with soap or detergent is all that is usually needed.
- Follow all cleaning by rinsing with clear water. Wipe dry with a clean, soft cloth to avoid water marks.
- For discolorations or deposits that persist, use a non-scratching household cleanser or stainless steel polishing powder with a little water and a soft cloth.
- For stubborn cases, use a plastic scouring pad or soft bristle brush together with cleanser and water. Rub lightly in direction of polishing lines or "grain" of the stainless finish. Avoid using too much pressure which may mar the surface.
- **DO NOT** allow deposits to remain for long periods of time.
- **DO NOT** use ordinary steel wool or steel brushes. Small bits of steel may adhere to the surface causing rust.
- **DO NOT** allow salt solutions, disinfectants, bleaches, or cleaning compounds to remain in contact with stainless steel for extended periods. Many of these compounds contain chemicals which may be harmful. Rinse with water after exposure and wipe dry with a clean cloth.

Painted surfaces should be cleaned with warm water and mild detergent only.

PREPARE THE HOOD

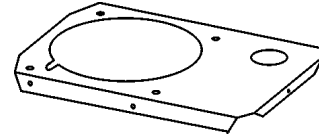
Unpack hood and check contents.

You should receive:

- 1 - Hood
- 1 - Decorative Flue Assembly
- 1 - Support Frame
- 1 - Parts Bag containing:
 - 1 - Support Frame Bracket
 - 1 - Discharge Collar
 - 4 - Lag Bolts (6 x 70mm)
 - 14 - Mounting Screws (3.9 x 9.5mm Pan Head)
 - 2 - Mounting Screws (2.9 x 9.5mm Pan Head)
 - 4 - Washers 6.4mm Diameter
 - 6 - Serrated Washers
 - 1 - Wiring Box Cover
 - 1 - Wire Clamp
- 1 - Installation Instructions
- 1 - Warranty Card



DISCHARGE
COLLAR



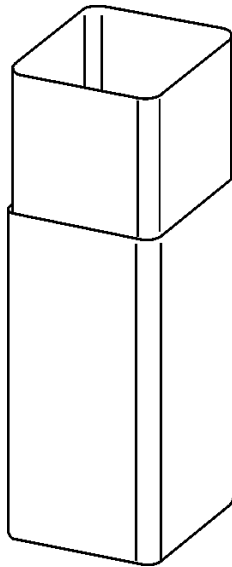
SUPPORT FRAME
BRACKET



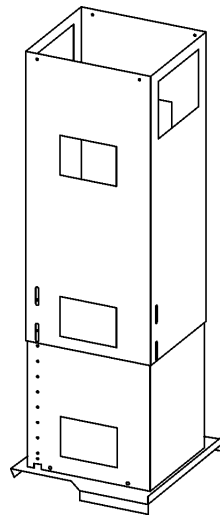
WIRE
CLAMP



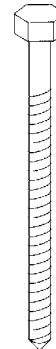
WIRING BOX
COVER



DECORATIVE
FLUE



SUPPORT
FRAME



4 LAG BOLTS
(6 x 70mm)



14 MOUNTING
SCREWS (3.9 x
9.5mm Pan Head)



4 WASHERS
6.4mm



6 SERRATED
WASHERS



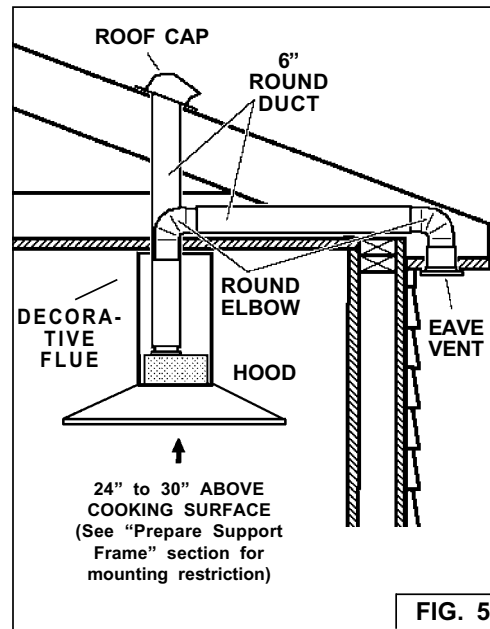
2 MOUNTING
SCREWS (2.9 x
9.5mm Pan Head)

INSTALL THE DUCTWORK

DUCTED HOODS ONLY

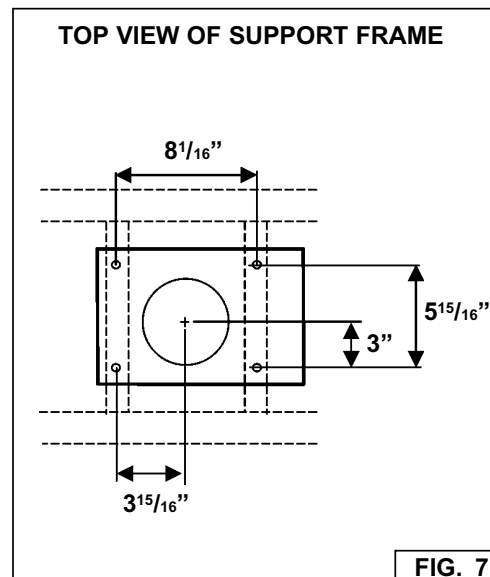
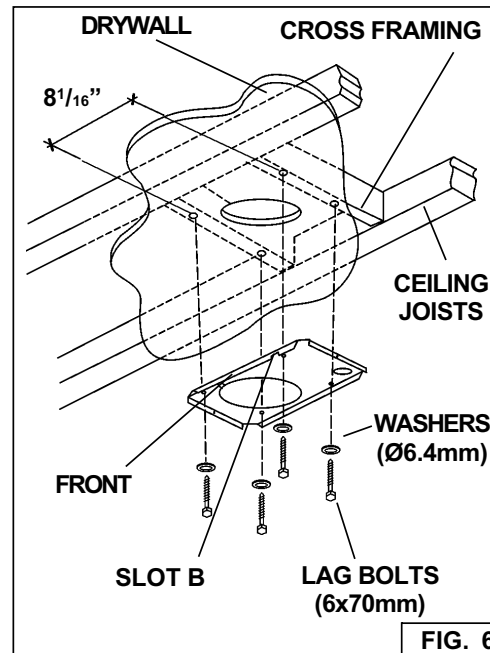
⚠ CAUTION: To reduce the risk of fire, use only metal ductwork.

1. Decide where the ductwork will run between the hood and the outside.
2. A straight, short duct run will allow the hood to perform most efficiently.
3. Long duct runs, elbows, and transitions will reduce the performance of the hood. Use as few of them as possible. Larger ducting may be required for best performance with longer duct runs.
4. Install a roof or wall cap. Connect round metal ductwork to cap and work back towards hood location. Use duct tape to seal the joints between ductwork sections.



INSTALL SUPPORT SYSTEM

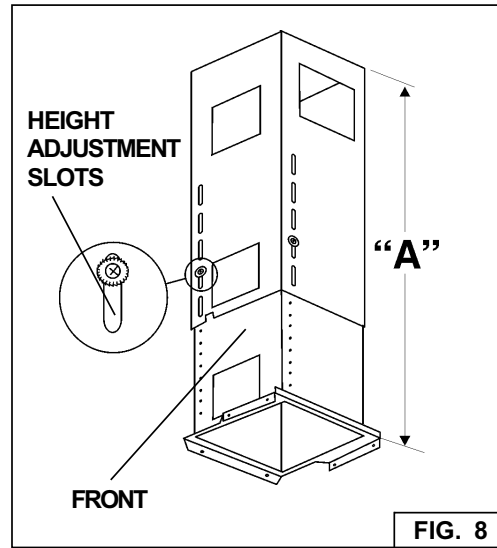
1. At hood location, install 2 X 4 **cross framing** between **ceiling joists** using dimensions shown.
2. Finish the ceiling surface. Be sure to mark the location of the ceiling joists and cross framing.
3. Secure the support frame bracket to joists and cross framing with four lag bolts provided (6x70mm) and four washers (6.4mm). Make sure screws are driven into center of joists and framing for maximum strength. Be careful, because the position of the bracket determines the final position of the hood: the side with the slot B corresponds to the controls side. Fig. 2.



PREPARE SUPPORT FRAME

8 AND 9-FOOT CEILINGS

1. Measure the ceiling height and determine distance between the cook top and bottom of hood.
2. Remove (4) screws and washers in the height adjustment slots. Figure 8.
3. Per the chart, adjust overall length of the support frame. Figure 8.
4. Reinstall (4) screws and washers in the height adjustment slots. Figure 8.



CEILING HEIGHT	DUCT METHOD	HOOD DISTANCE ABOVE 36" HIGH COOK TOP (See note a)						
		24"	25"	26"	27"	28"	29"	30"
		LENGTH OF SUPPORT FRAME, DIMENSION "A"						
8 FOOT CEILING	DUCTED	22"	21"	20"				
	NON DUCTED	22"	21"	20"	19"	18"		
9 FOOT CEILING	DUCTED & NON DUCTED			32"	31"	30"	29"	28"
10 FOOT CEILING (see note b)	DUCTED & NON DUCTED	46"	45"	44"	43"	42"	41"	40"

Notes:

- a. Minimum hood distance above cook top must not be less than 24".
A maximum of 30" above cook top is highly recommended for best capture of cooking impurities.
Distances over 30" are at the installer's and user's discretion; providing that ceiling height and flue length permit.
- b. Requires optional 10-foot flue extension.

10-FOOT CEILINGS

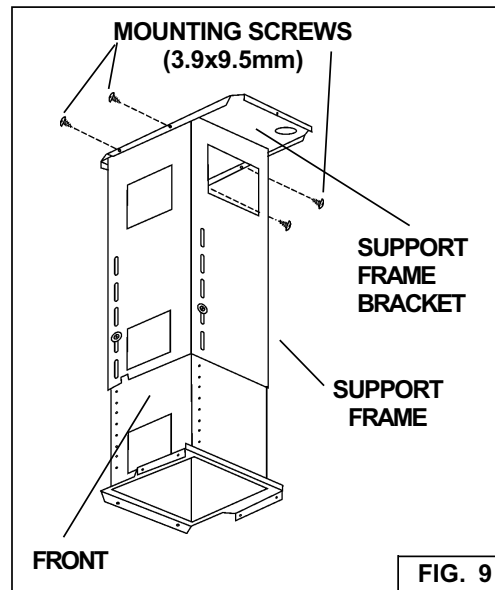
Note: The following materials must be purchased separately for 10-foot ceiling installations.

- Flue extension model FX54SS for ducted installations
 - Flue extension model FXN54SS for non-ducted installations
5. Discard the upper support frame half supplied with the range hood. Replace with the longer upper support frame supplied with the flue extension.
 6. Follow steps 1 through 4 shown above.

PREPARE SUPPORT

FRAME, cont'd.

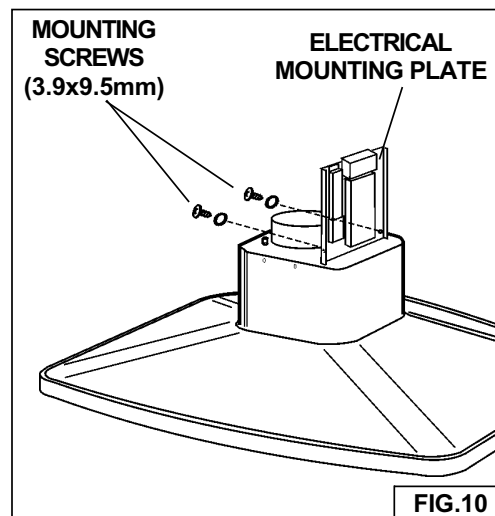
7. Hang the support frame from the support frame bracket (located on ceiling). Securely fasten with (4) 3.9x9.5mm mounting screws. Fig. 9.



PREPARE THE HOOD

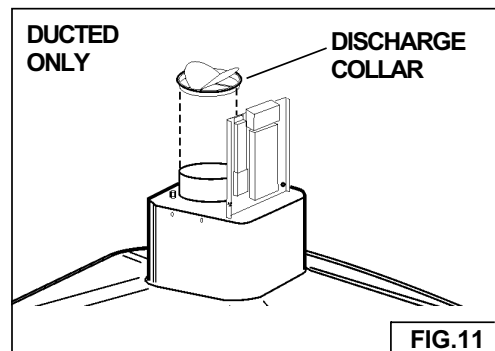
DUCTED AND NON-DUCTED HOODS

1. Assemble the Electrical Mounting Plate to the hood with (2) 3.9x9.5mm mounting screws and (2) serrated washers. Fig. 10.



DUCTED HOODS ONLY

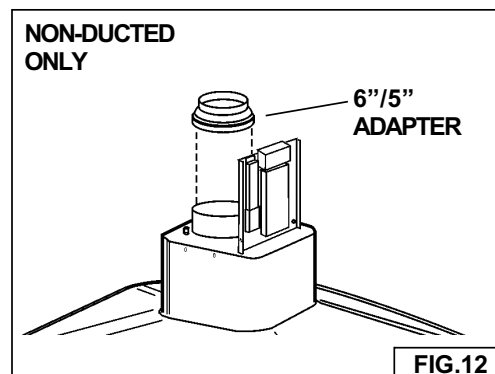
2. Install the plastic discharge collar into the opening of the blower discharge. Fig. 11.
3. Install 6" diameter metal duct over the blower discharge. It must be long enough to reach ducting that discharges to the outside. Duct tape all joints to make them secure and air tight.



NON-DUCTED HOODS ONLY

Note: the following material must be purchased separately for non-ducted recirculation installations:

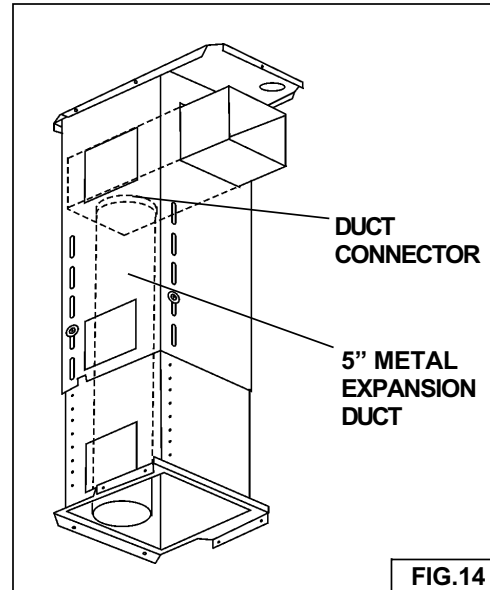
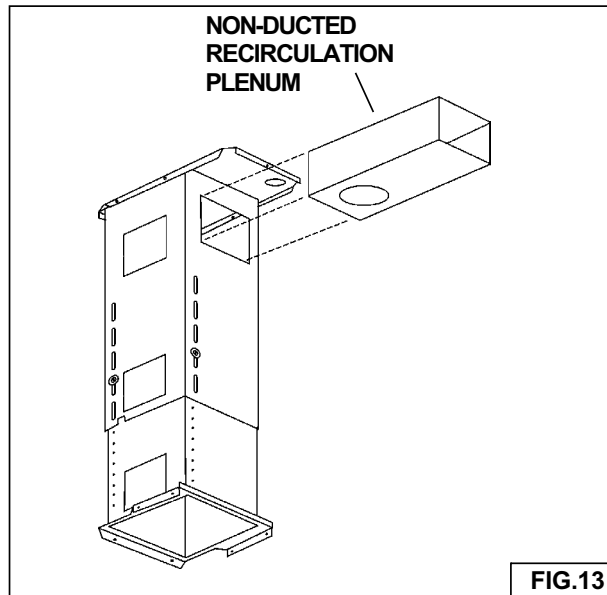
- Non-Ducted Recirculation Kit RK54
 - 5" diameter metal expandable duct
1. Discard the plastic discharge collar supplied with the hood. Install the 5" to 6" adapter (supplied with the non-ducted recirculation kit) over the blower discharge. Fig. 12.
 2. Duct tape all joints to make them secure and air tight.



PREPARE THE HOOD, cont'd.

NON-DUCTED HOODS ONLY

3. Install the non-ducted recirculation plenum through the upper rectangular openings in the support frame. Fig. 13
4. Install the 5" diameter duct connector to plenum. Twist and lock to secure. Fig. 14.
5. Attach 5" diameter **metal** expandable duct to the plenum. When stretched, it must be long enough to reach the bottom of the support frame. Fig. 14.
6. Duct tape all joints to make them secure and air tight.



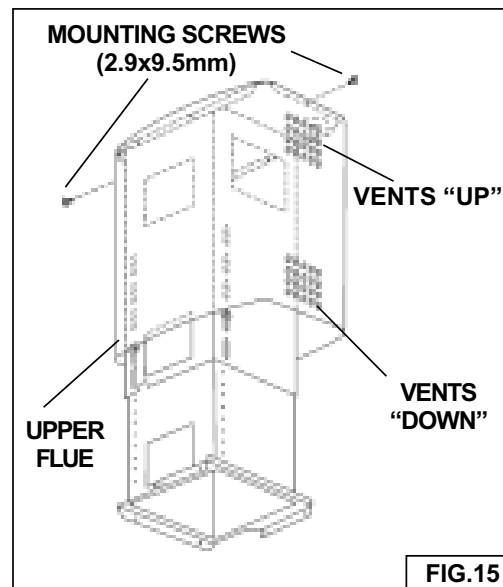
INSTALL UPPER DECORATIVE FLUE

DUCTED HOODS ONLY (8-FOOT AND 9-FOOT CEILINGS)

1. Install and secure the upper flue to the support frame with (2) 2.9x9.5mm mounting screws. Fig. 15.
- On 8-foot ceilings, install with air vents down.
 - On 9-foot ceilings, install upper flue with air vents up.

(10-FOOT CEILINGS)

2. Discard the upper flue supplied with the hood. Replace with the upper flue supplied with flue extension model FX54SS.
3. Install and secure the upper flue to the support frame with (2) 2.9x9.5mm mounting screws.



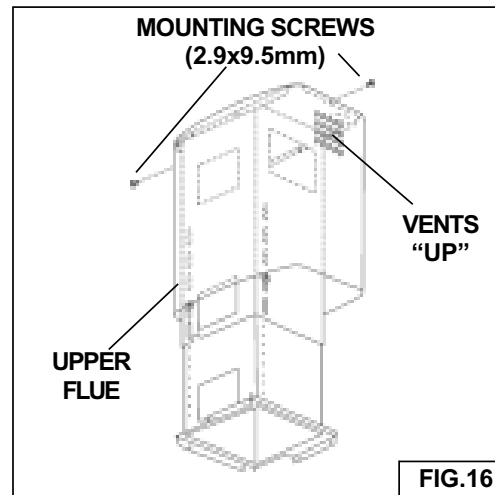
INSTALL THE UPPER DECORATIVE FLUE, cont'd.

NON-DUCTED HOODS ONLY (8-FOOT AND 9-FOOT CEILINGS)

4. Install the upper flue with air vent "up". Secure to the support frame with (2) 2.9x9.5mm mounting screws. Fig. 16.

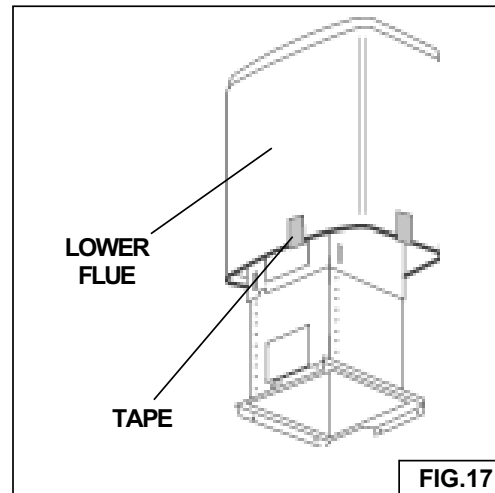
(10-FOOT CEILINGS)

5. Discard the upper flue supplied with the hood. Replace with the upper flue supplied with flue extension model FXN54SS.
6. Install with air vents "up" and secure to the support frame with (2) 2.9x9.5mm mounting screws.



INSTALL LOWER DECORATIVE FLUE

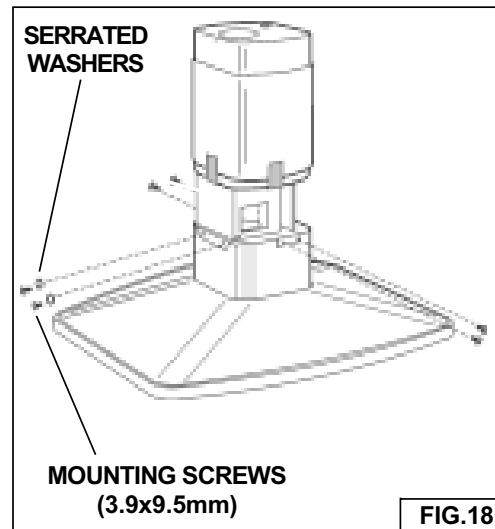
1. Slide the lower flue up and over the upper flue until it contacts the ceiling. Temporarily secure the both halves together with duct tape. Fig. 17.



INSTALL THE HOOD

⚠ CAUTION: At least two installers are required due to the weight and size of the hood.

1. Secure the hood to the support frame with (6) 3.9x9.5mm mounting screws and (2) serrated washers. Fig. 18.



CONNECT THE DUCTWORK

Duct tape all connecton's to make them secure and air tight.

DUCTED HOODS ONLY

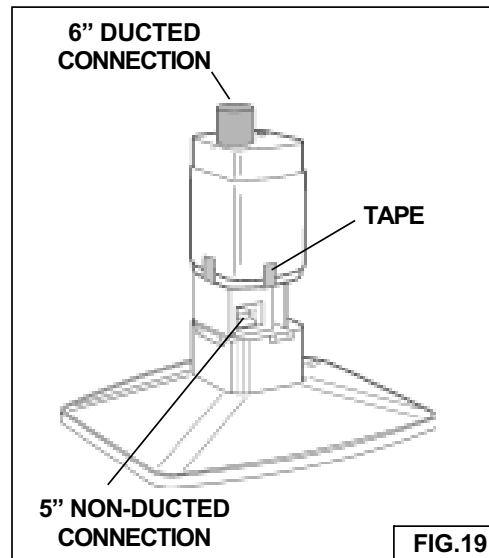
1. Connect 6" diameter metal duct to ducting that discharges to the outside.

NON-DUCTED HOODS ONLY

2. Connect 5" diameter expandable metal duct from the non-ducted plenum to the adapter on the blower discharge.

DUCTED AND NON-DUCTED HOODS

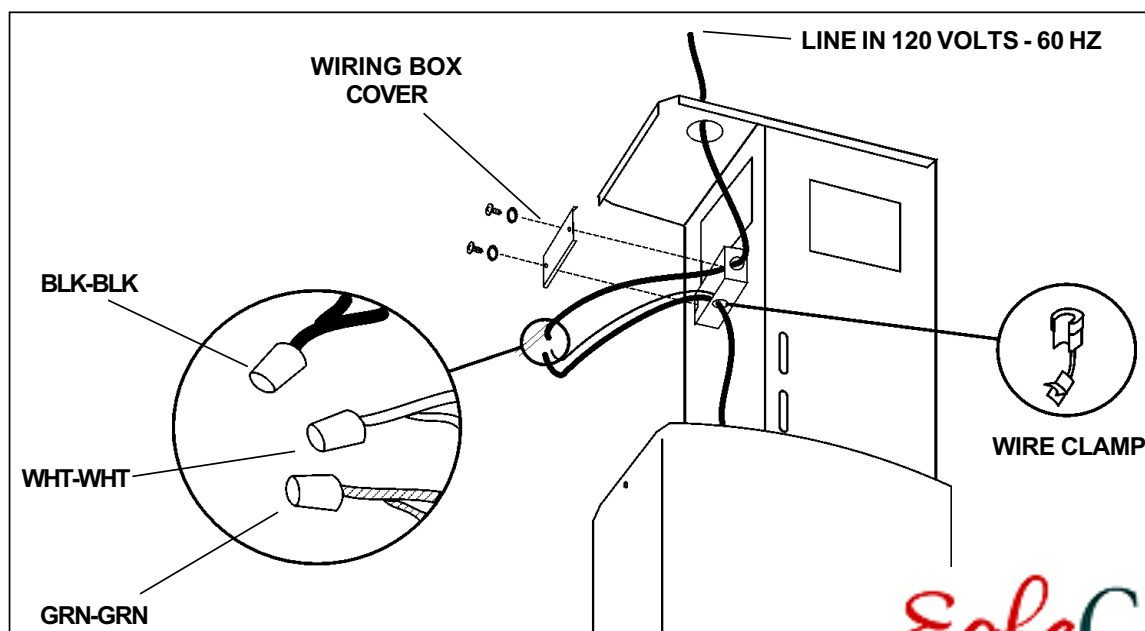
3. Remove the tape from the lower flue. Lower the flue until it seats on top of the hood.
4. Remove duct tape from upper and lower flue. Lower the flue until it seats on top of the hood.



INSTALL ELECTRICAL

⚡ WARNING: Electrical wiring must be done by a qualified person(s) in accordance with all applicable codes and standards. This range hood must be properly grounded. Turn off electrical power at service entrance before wiring.

1. Remove the wiring box cover. Fig. 20.
2. Run 2-wire plus ground power cable through the round opening in the support frame bracket and into the wiring box.
3. Secure cable to box with an appropriate cable connector.
4. Feed the range hood's power cable through the hole in the bottom of the wiring box.
5. Secure the cable to the box using the wire clamp (supplied in the parts bag).
6. Connect wires, white-to-white, black-to-black and green-to-ground.
7. Push wiring into the electrical box. Reinstall the wiring box cover.
8. Raise the upper flue and reinstall mounting screws.



INSTALL FILTERS

(DUCTED AND NON-DUCTED HOODS)

1. To remove the GREASE filter, push in on the metal latch tab and tilt filter downward to remove.
2. To install the GREASE filter, align rear filter tabs with slots in the hood. Depress the metal latch tab, push filter into position and release. Make sure filter is securely engaged after installation.

NOTE: Prior to use, remove protective film from the filter frame.

(NON-DUCTED HOODS ONLY)

1. To remove the CHARCOAL filter, push in on the front filter latch. Pull the filter down to disengage the rear filter tabs.
2. To install the CHARCOAL filter, align the rear filter tabs with slots in the hood. Push the filter up into place until the front latch snaps securely into the slot. Make sure the filter is securely engaged after assembly.
3. Install GREASE filter after charcoal filter is installed.

