

# Air King<sup>®</sup>

## Ventilation Products

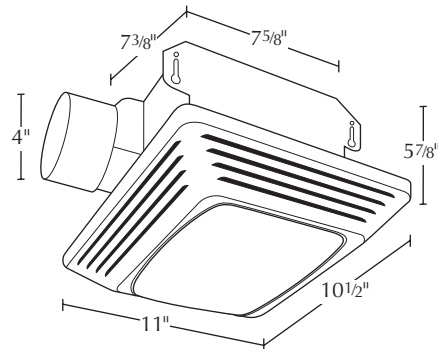
### SPECIFICATIONS

# ASF90

## EXHAUST FAN WITH LIGHT

**90 CFM/2.5 SONES @ 0.10" WG. -HVI CERTIFIED**  
**120 Volts, 1.6 amps, 60 hz.**

- Grill**  
 White polymeric grill secured in place via screw mounting through the light housing, dimensions - 11" x 10 1/2".
- Light Lens**  
 High impact polycarbonate lens, secured in position using integral tabs; easily removed if necessary.
- Light Housing**  
 Heavy gauge cold rolled steel c/w baked enamel finish; locks in place on the grill via two integral tabs.
- Blower Wheel**  
 One piece polymeric wheel, 4 1/2" diameter, 1" wide, with 10 fins.
- Motor**  
 Single coil plug-in, two pole motor, life time lubrication, thermally protected. Rated 120 volts, 60 hz., 1.6 amps.
- Fan Housing**  
 23 ga. Galvanized metal housing, dimensions 7 3/8" x 7 5/8" x 5 7/8", double metal thickness mounting tabs.
- Duct Collar**  
 Plastic collar for 4" duct connection, comes complete with built in non-metallic back draft damper for quiet operation.
- Lighting**  
 Electronic Quick Start Ballast – rated 26 Watt – Use Triple 4 pin PL lamp. Maximum 26 Watt.



### CUL/HVI

Acceptable for use over tub or shower when installed in a GFCI protected branch circuit.

- Unit Mounting**  
 Rated Type IC for ceilings insulated to R-40. Designed to mount in ceilings with at least 6" of clearance. The unit will mount directly to the joist or using the supplied mounting bars with a rough in opening of 7 5/8" x 7 7/8". The housing will mount through drywall thickness up to 3/4".
- Ventilating Area**  
 For bathrooms up to 70 sq. ft. for other rooms up to 85 sq. ft.
- Single Pack Shipping Info**  
 Box Dim: 11 1/2" x 13 1/4" x 9 1/2"  
 UPC: 0-8316229052-6  
 Shipping Weight: 6 lbs.

PERFORMANCE											
	Static Pressure (inches of w.g.)								HVI Sones @ .1 SP	Fan Speed RPM	Power Watts
	0	0.05	0.1	0.125	0.15	0.2	0.25	0.3			
<b>Air Flow - CFM</b>	100	94	90	87	84	78	71	60	2.5	1500	44

<b>PROJECT</b>							<b>ARCHITECT</b>				
<b>LOCATION</b>							<b>ENGINEER</b>				
<b>CONTRACTOR</b>							<b>SUBMITTED BY</b>			<b>DATE</b>	
FAN NUMBER	MODEL NUMBER	CFM	IN W.G.	RPM	WATTS	AMPS	SONES	QTY	OPTIONAL EQUIPMENT & REMARKS		

