

Air King[®]

Ventilation Products

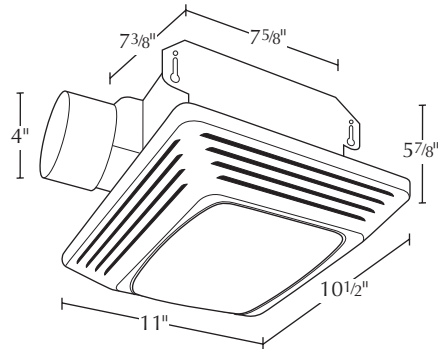
SPECIFICATIONS

ASF120

EXHAUST FAN WITH LIGHT

120 CFM/4.0 SONES @ 0.10" WG. -HVI CERTIFIED
120 Volts, 1.6 amps, 60 hz.

- Grill**
 White polymeric grill secured in place via screw mounting through the light housing, dimensions - 11" x 10 1/2".
- Light Lens**
 High impact polycarbonate lens, secured in position using integral tabs; easily removed if necessary.
- Light Housing**
 Heavy gauge cold rolled steel c/w baked enamel finish; locks in place on the grill via two integral tabs.
- Blower Wheel**
 One piece polymeric wheel, 4 1/2" diameter, 1" wide, with 10 fins.
- Motor**
 Single coil plug-in, two pole motor, life time lubrication, thermally protected. Rated 120 volts, 60 hz., 1.6 amps.
- Fan Housing**
 23 ga. Galvanized metal housing, dimensions 7 3/8" x 7 5/8" x 5 7/8", double metal thickness mounting tabs.
- Duct Collar**
 Plastic collar for 4" duct connection, comes complete with built in non-metallic back draft damper for quiet operation.
- Lighting**
 Electronic Quick Start Ballast – rated 26 Watt – Use Triple 4 pin PL lamp. Maximum 26 Watt.



CUL/HVI

Acceptable for use over tub or shower when installed in a GFCI protected branch circuit.

- Unit Mounting**
 Rated Type IC for ceilings insulated to R-40. Designed to mount in ceilings with at least 6" of clearance. The unit will mount directly to the joist or using the supplied mounting bars with a rough in opening of 7 5/8" x 7 7/8". The housing will mount through drywall thickness up to 3/4".
- Ventilating Area**
 For bathrooms up to 70 sq. ft. for other rooms up to 85 sq. ft.
- Single Pack Shipping Info**
 Box Dim: 11 1/2" x 13 1/4" x 9 1/2"
 UPC: 0-8316221281-8
 Shipping Weight: 6 lbs.

PERFORMANCE											
	Static Pressure (inches of w.g.)								HVI Sones @ .1 SP	Fan Speed RPM	Power Watts
	0	0.05	0.1	0.125	0.25	0.375	0.5	0.625			
Air Flow - CFM	126	123	120	118	110	101	92	81	4.0	1800	97

PROJECT					ARCHITECT						
LOCATION					ENGINEER						
CONTRACTOR					SUBMITTED BY					DATE	
FAN NUMBER	MODEL NUMBER	CFM	IN W.G.	RPM	WATTS	AMPS	SONES	QTY	OPTIONAL EQUIPMENT & REMARKS		

