

Model AK960L Heat/Light/Night Light

If you discover any missing components or damage call
1-800-465-7300 between 8:00 am and 3:30 pm eastern time
Monday to Friday

Read and save these instructions

IMPORTANT SAFEGUARDS

- **IMPORTANT:** Disconnect the power before cleaning, servicing or performing routine maintenance.
If you are replacing an existing product, ensure the power is disconnected before beginning this installation.
Do not mount over tub or in shower stall enclosure.
Not for use in kitchens.
- **WARNING:** To reduce the risk of fire or electric shock or injury to persons observe the following:
Use this unit only in the manner intended by the manufacturer. If you have questions, contact the manufacturer.
Before servicing or cleaning the unit, switch power off at the service panel and lock service panel to prevent power from being switched on accidentally. When the service disconnecting means cannot be locked securely, fasten a prominent warning device, such as a tag to the service panel.
Installation work and electrical wiring must be done by qualified person(s) in accordance with all applicable codes and standards, including fire-rated construction.
When cutting or drilling into wall or ceiling, do not damage electrical wiring or other hidden utilities.
NEVER place a switch where it can be reached from a shower or tub.
Do not use this unit with any solid-state speed control device.

Before beginning this installation, remove from the carton the packaged grill and light lens, the heater's housing and mounting brackets and any loose packaging. Remove the heater's wiring compartment cover. Remove the light reflector from the heater's housing – it is held in place by a screw. Place grill and lens as well as the heater's wire compartment cover and light reflector back in the carton until needed so they do not get damaged.

Mounting the Housing: New Construction

Using the Hanging Brackets

1. Insert the hanger bars in the slots provided in the housing.
2. Locate the heater housing between joists so that the bottom of the heater will be flush with the finished ceiling.
3. Use screws or nails to secure the hanger bars to the ceiling joists.
4. Remove the desired electrical knockout from the junction box in the housing.

Using Side Mounting Tabs

1. Locate the heater housing next to a ceiling joist.
2. Use screws through the keyhole slots in the mounting tabs to loosely position the housing in place.
3. Adjust the height of the heater so that the housing will be flush with the finished ceiling. When the housing is properly positioned, secure in place using screws or nails.
4. Remove the desired electrical knockout from the junction box in the housing.

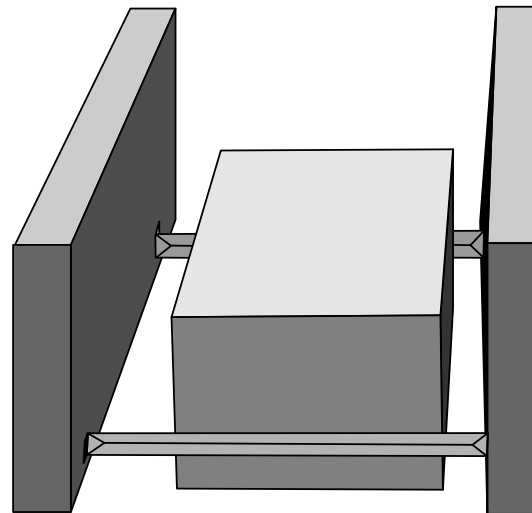


Fig 1.

Mounting the Housing: Existing Construction

1. Determine the desired location for the heater.
2. Drill a small hole through the ceiling at the chosen location. Stick the end of a coat hanger through the hole into the attic to help locate the spot in the attic.
3. Check the chosen area from above to make sure that the wiring can be installed and that the installation will not interfere with any existing wiring.
4. In the attic, place the housing between ceiling joists at the

chosen location. Mark the ceiling for cutout by using the heater housing's flange as a template. Make the cutout.

5. Install the housing in the opening using hanger bars or mounting tabs as described above.
6. Remove the desired electrical knockout from the junction box in the housing.

Electrical Wiring (Refer to Fig. 2)

CAUTION: Make sure the power is switched off before making this installation.

NOTE: All wiring must comply with local and national codes. You must ground this unit.

NOTE: This unit must be wired on a separate 20 amp circuit. You will have to get the heater's wire compartment cover from the carton.

1. Run 4 wires and a ground (12GA) from the heater box to the wall box (location of the switches). Make sure you identify which wire is for which component. The following is the colour code in the heater's junction box: Black wire = Night Light, Yellow wire = Light, Red wire = Heater, White wire = Neutral. Connect the ground wire to the green ground screw in the heater's junction box.
2. Make sure you connect the ground in the outlet box as well.
3. Replace the junction box cover in the heater housing when the wiring is complete.

Completing the Installation

You will need to get the grill, lens and light reflector from the carton.

1. Once you have mounted the housing and completed the wiring you can install the light reflector and the grill and lens. First plug in the fan and heater into the heater's wire compartment cover.
2. Install the light reflector in the centre of the heater housing and secure it with the screw removed earlier. Plug the light and night light into the heater's wiring compartment cover. Install a 100 watt max. bulb (26 watt max. fluorescent for model AK965FL) and a 7 watt max. night light bulb.
3. The heater's lens flips down, release the lens by pushing on the 2 tabs which hold it in place in the grill.
4. Secure the grill and lens to the heater housing via 2 screws (provided). Flip the lens back into position.

AK960 WIRING DIAGRAM

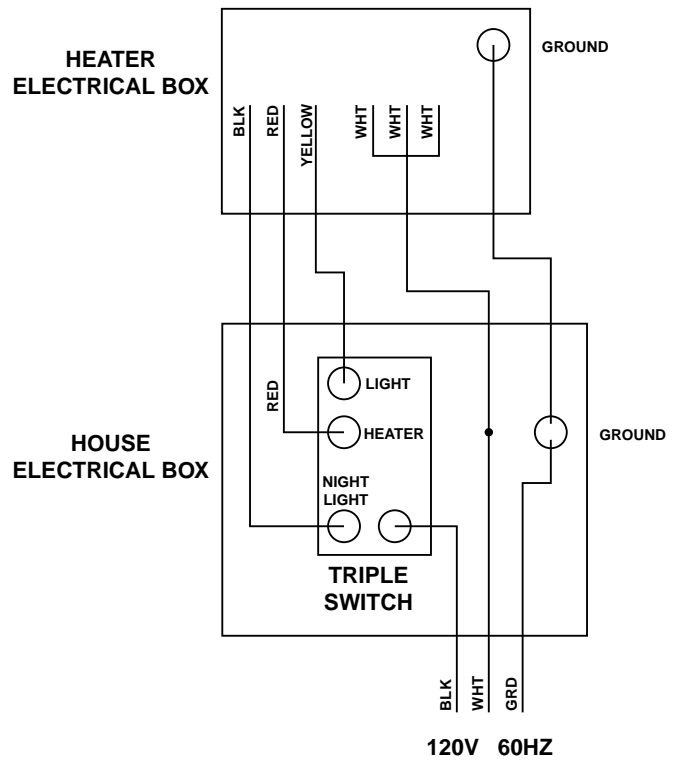


Fig. 2.