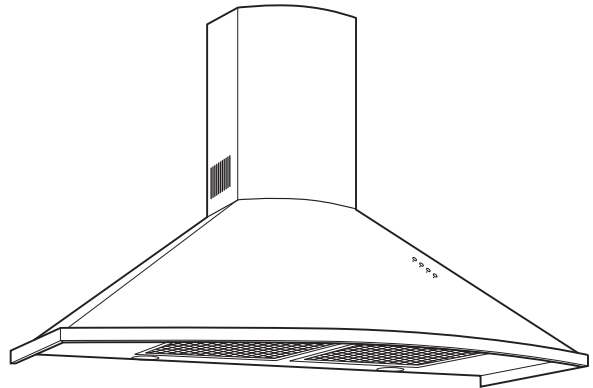


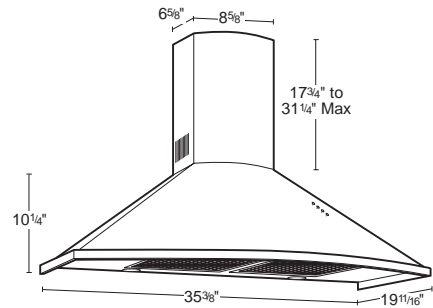
## Barcelon® Collection

### Wall Mounted Range Hood, 120 Volts, 60 hz.

- **Dimensions**  
Available widths: 36"
- **Hood Body**  
Brushed stainless steel.
- **Motor**  
3 speed, permanently split capacitor motor. Rated 120 volts, 60 hz.
- **Lighting**  
2 - Hi spot ES 16, 50 watt maximum halogen lights.
- **Ducting Options**  
Vertical ducting: 6" round duct adapter complete with polymeric back draft damper ensuring quiet operation.
- **Blower Wheel**  
Dual inlet, electronically balanced polymeric centrifugal blower wheel.
- **Mounting**  
Wall mounted. Install 20" to 30" from cooking surface.
- **Filters**  
Grease Filter: Dishwasher safe, BCGF-01 (included).
- **Available Finishes**  
Stainless Steel.



**NAV SERIES**



PERFORMANCE									
Static Pressure (inches of w.g.)	0	0.05	0.1	0.15	0.2	0.25	0.3	0.35	0.4
CFM	648	625	600	579	552	526	504	463	444
RPM	1876	1885	1896	1910	1965	1991	2010	2030	2058
WATTS	335	337	337	338	338	337	336	336	337

<b>PROJECT</b>						<b>ARCHITECT</b>			
<b>LOCATION</b>						<b>ENGINEER</b>			
<b>CONTRACTOR</b>						<b>SUBMITTED BY</b>			<b>DATE</b>
<b>FAN NUMBER</b>	<b>MODEL NUMBER</b>	<b>CFM</b>	<b>IN W.C.</b>	<b>RPM</b>	<b>WATTS</b>	<b>AMPS</b>	<b>SONES</b>	<b>QTY</b>	<b>OPTIONAL EQUIPMENT &amp; REMARKS</b>

