

INLINE EXHAUST FAN INLET GRILLS/HOUSINGS

• **Inlet Grill**

Low profile, circular plastic exhaust grill

• **Housing**

Models AIG4: Galvanized metal collar with mounting straps and
AIG6 metal back draft damper with rubber gasket to reduce sound level during opening and closing.

Models AIG46HL: Metal housing with wiring junction box and
AIG46F metal back draft damper with rubber gasket to reduce sound level during opening and closing.

• **Lighting**

Model AIG46HL: 50 watt, Halogen Lamp, UL approved for wet locations included with unit.

Model AIG46F: ENERGY STAR 14 watt, Wet Location Compact Fluorescent 4 Pin Lamp included with unit.

• **Unit Mounting**

Models AIG4: Metal mounting straps for quick and easy
AIG6 installation to joist.

Models AIG46HL: Metal housing with wiring junction box for
AIG46F quick and easy installation between joist.

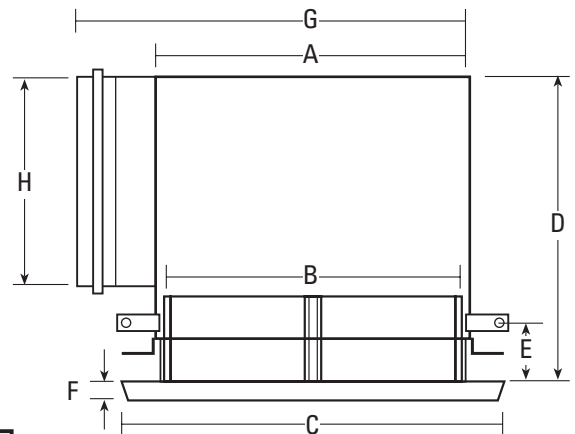
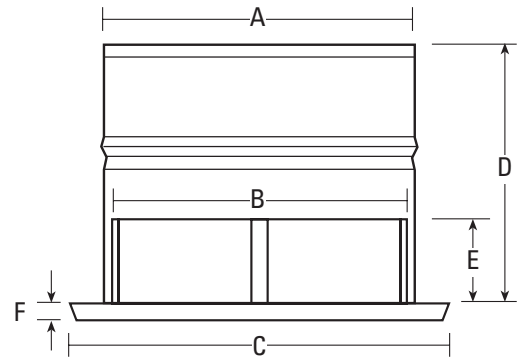
• **UPC Codes**

AIG4: 0-83162-31131-3

AIG6: 0-83162-31132-0

AIG46HL: 0-83162-31122-1

AIG46F: 0-83162-31141-2



Models	A	B	C	D	E	F	G	H
AIG4, AIK14X, AIK24Y	4"	3 ⁵ / ₈ "	4 ⁷ / ₈ "	3 ³ / ₄ "	1 ⁷ / ₈ "	3 ³ / ₈ "	-	-
AIG6, AIK16X, AIK26Y	6"	5 ⁵ / ₈ "	7"	3 ³ / ₄ "	1 ⁷ / ₈ "	3 ³ / ₈ "	-	-
AIG46L, AIG46YL, AIK14XL AIK14XF, AIK26YL, AIK26YF	6"	5 ⁵ / ₈ "	7 ³ / ₃₂ "	6"	1 ³ / ₄ "	3 ³ / ₈ "	7 ²³ / ₃₂ "	4"

PROJECT					ARCHITECT				
LOCATION					ENGINEER				
CONTRACTOR					SUBMITTED BY			DATE	
FAN NUMBER	MODEL NUMBER	CFM	IN W.G.	RPM	WATTS	AMPS	SONES	QTY	OPTIONAL EQUIPMENT & REMARKS

