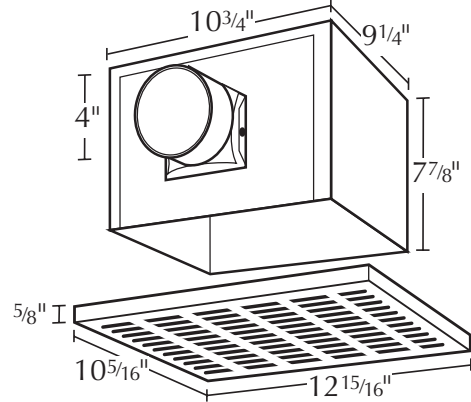


# Air King<sup>®</sup>

## Ventilation Products

SPECIFICATIONS  
**FRAS120**  
EXHAUST FANS

- **Grill**  
Cold rolled steel, powder coated white.
- **Blower Wheel**  
One piece polymeric wheel, 5.13" diameter, 2.38" wide, with 48 fins.
- **Motor**  
Heavy duty, plug-in, permanently split capacitor, 4 pole motor, life time lubrication, thermally protected.  
Rated 120 volts, 60 Hz., 0.45 amps.  
**Contractor Pack (Motor/BladeGrill) Model: FA90T\***
- **Fan Housing**  
24 gauge galvanized steel housing, dimensions 10<sup>3</sup>/<sub>4</sub>" x 9<sup>1</sup>/<sub>4</sub>" x 7<sup>7</sup>/<sub>8</sub>".  
**Contractor Pack Model: AKFH2\***
- **Duct Collar**  
Metal collar for 4" duct connection, comes complete with built in back draft damper.
- **Ventilating Area**  
For rooms up to 150 sq. ft.
- **Unit Mounting**  
FRAS120 is centered between joists (with 16" centers) using hanging brackets. The housing will mount through drywall thickness up to <sup>3</sup>/<sub>4</sub>", with a rough-in opening of 10<sup>3</sup>/<sub>4</sub>" x 9<sup>1</sup>/<sub>4</sub>".



- **Damper**  
**Blanket** - Non-asbestos, ceramic blanket  
**Fusible Link** - Replaceable, 165°F standard  
**Classification** - Ceiling Radiation Damper is ULC classified and rated for a 3-4 hour fire resistance. U.L. listed 555C. California State Marshall classification for 1 or 2 hour fire damper rating. California State Marshall listing number 3225-1374-101.  
**Contractor Pack Model: AKFD2\***

\* Sold in packs of 4. All three parts (housing, damper, motor/blade/grill) must be purchased and used together to make a complete unit.



AMCA LICENSED PERFORMANCE											
	Static Pressure (inches of w.g.)								HVI Sones @ Ps .1 SP	Fan Speed RPM	Power Watts
	0	0.05	0.1	0.125	0.15	0.2	0.25	0.3			
<b>Air Flow - CFM</b>	131	125	120	117	114	107	98	86	3.0	1300	43
<b>Sound - SONES</b>	3.7	3.7	3.7	3.7	3.7	3.7	3.5	3.5			

Performance shown is for FRAS exhaust models for installation type B: Free inlet, Ducted outlet. Performance ratings include the effects of an inlet grille, ceiling radiation damper and backdraft damper in the airstream. Speed (RPM) shown is nominal. Performance is based on actual speed of test. The loudness ratings shown are loudness values in fan sones at 5 ft. (1.5m) in a hemispherical free field calculated per AMCA standard 301. Values shown are for installation type B: free inlet fan sone levels. The AMCA Certified Ratings Seal does not apply to HVI Sones.

<b>PROJECT</b>				<b>ARCHITECT</b>							
<b>LOCATION</b>				<b>ENGINEER</b>							
<b>CONTRACTOR</b>				<b>SUBMITTED BY</b>						<b>DATE</b>	
FAN NUMBER	MODEL NUMBER	CFM	IN W.G.	RPM	WATTS	AMPS	SONES	QTY	OPTIONAL EQUIPMENT & REMARKS		