

IMPORTANT INSTRUCTIONS - OPERATING MANUAL

Models: AKLC701, AKLC702,
AKLC703, AKLC709



Exhaust Fan with Light

READ AND SAVE THESE INSTRUCTIONS

READ CAREFULLY BEFORE ATTEMPTING TO ASSEMBLE, INSTALL, OPERATE OR MAINTAIN THE PRODUCT DESCRIBED. PROTECT YOURSELF AND OTHERS BY OBSERVING ALL SAFETY INFORMATION. FAILURE TO COMPLY WITH INSTRUCTIONS COULD RESULT IN PERSONAL INJURY AND/OR PROPERTY DAMAGE!

RETAIN INSTRUCTIONS FOR FUTURE REFERENCE.

GENERAL SAFETY INFORMATION

When using electrical appliances, basic precautions should always be followed to reduce the risk of fire, electric shock and injury to person, including the following:

1. Read all instructions before installing or using exhaust fan.
2. Use this unit only in the manner intended by the manufacturer. If you have questions, contact the manufacturer.
3. Before servicing or cleaning the unit, switch power off at service panel and lock the service disconnecting means to prevent power from being switched on accidentally. When the service disconnecting means cannot be locked, securely fasten a prominent warning device, such as a tag, to the service panel.
4. Installation work and electrical wiring must be done by qualified person(s) in accordance with all applicable codes and standards, including fire-related construction.
5. Sufficient air is needed for proper combustion and exhausting of gases through the flue (chimney) of fuel burning equipment to prevent back drafting. Follow the heating equipment manufacturer's guideline and safety standards such as those published by the National Fire Protection Association (NFPA) and the American Society for Heating, Refrigeration, and Air Conditioning Engineers (ASHRAE), and the local code authorities.
6. When cutting or drilling into wall or ceiling, do not damage electrical wiring and other hidden utilities.
7. Ducted fans must always be vented to the outdoors.
8. This unit must be grounded.
9. To avoid motor bearing damage and noisy and/or unbalanced impellers, keep drywall spray, construction dust, etc. off power unit.
10. NEVER place a switch where it can be reached from a tub or shower.

WARNING: TO REDUCE THE RISK OF FIRE, ELECTRIC SHOCK, DO NOT USE THIS FAN WITH ANY SOLID-STATE SPEED CONTROL DEVICE.

WARNING: DO NOT INSTALL OVER A TUB OR MOUNT IN A SHOWER STALL ENCLOSURE.

WARNING: DO NOT USE IN KITCHENS

CAUTION: FOR GENERAL VENTILATING USE ONLY. DO NOT USE TO EXHAUST HAZARDOUS OR EXPLOSIVE MATERIALS AND VAPORS.

SAVE THESE INSTRUCTIONS

210572200 Rev. A 6-06

an *SefaCo.* Store
1-877-275-9111

INSTALLATION INSTRUCTIONS

CAUTION: MAKE SURE POWER IS SWITCHED OFF AT SERVICE PANEL BEFORE STARTING INSTALLATION.

SECTION 1

Preparing the Exhaust Fan

1. Unpack fan from the carton and confirm that all pieces are present. In addition to the exhaust fan you should have:
 - 1 - Grill with Glass Light Lens
 - 1 - Damper Assembly (attached)
 - 2 - #8 Screws
 - 2 - Lockwashers
 - 4 - Mounting Rails
 - 1 - Instruction/Safety Sheet
2. Choose the location for your fan. To ensure the best air and sound performance, it is recommended that the length of ducting and the number of elbows be kept to a minimum, and that insulated hard ducting be used. Larger duct sizes will reduce noise and airflow restrictions. This fan will require at least 6" of clearance in the ceiling or wall, and will mount through drywall up to 3/4" thick. The fan can be mounted directly to the joist using the mounting tabs on the sides of the housing or between 16" on center joists using the 4 provided mounting rails.

SECTION 2

New Construction

1. **Mounting Rail Installation:** Install the rails on the housing and position the housing next to the joist. Using the gauge on the fan's housing, line up housing so that it will be flush with the finished ceiling. Secure the ends of the rails with screws or nails (not included) to the joists and slide the housing into the final position (**Figure 1**).

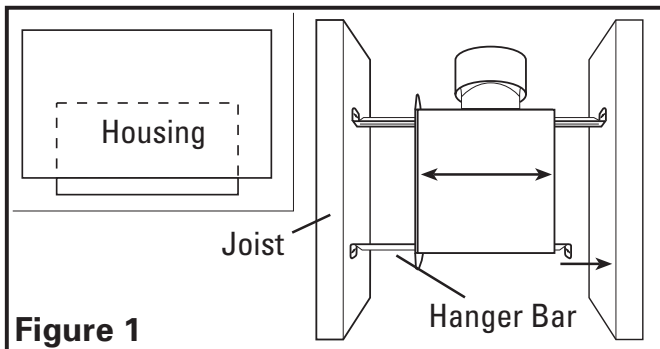


Figure 1

2. **Mounting Tab Installation:** Using the gauge on the fan's housing, line up housing so that it will be flush with the finished ceiling. Position the fan so that the tabs rest flat against the joist and secure with four nails or screws (not provided) to ensure proper installation (**Figure 2**).

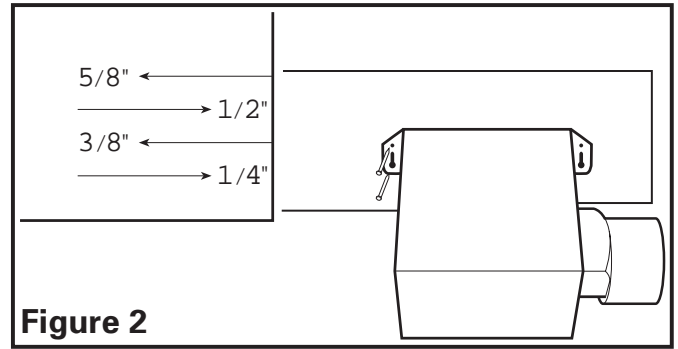


Figure 2

SECTION 3

Existing Construction

- 1a. **Mounting Rail Installation:** Set housing in position between the joist and trace an outline onto the ceiling material (**Figure 3**). Set housing aside and cut opening, being careful not to cut or damage any electrical or other hidden utilities. Install the rails on the housing and position the housing in the previously cut hole so that it is flush with the finished ceiling. Secure the ends of the rails to the joists with nails or screws (not provided) (**Figure 1**).

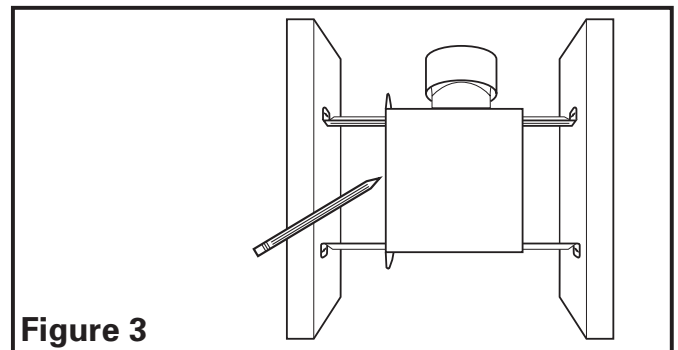


Figure 3

- 1b. **Mounting Tab Installation:** Position housing against the joist and trace an outline of the housing onto the ceiling material (**Figure 4**). Set housing aside and cut opening, being careful not to cut or damage any electrical or other hidden utilities. Place housing next to the joist and insure that it is flush with the finished ceiling. Secure with four nails or screws (not provided) to ensure proper installation (**Figure 2**).

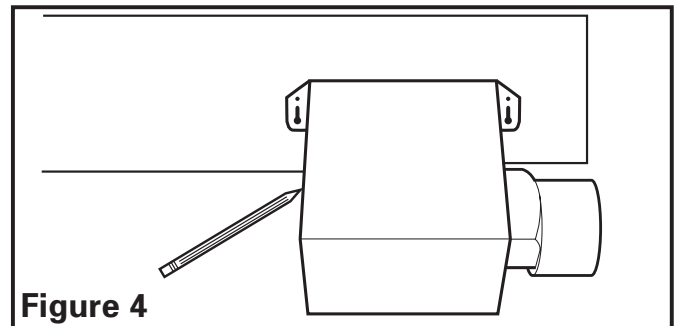


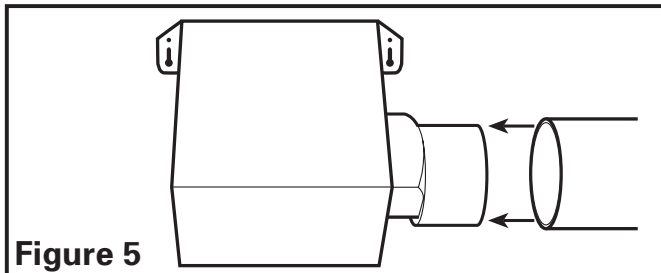
Figure 4

SECTION 4

Ducting

CAUTION: ALL DUCTING MUST COMPLY WITH LOCAL AND NATIONAL BUILDING CODES.

1. Connect the ducting to the fan's duct collar (**Figure 5**). Secure in place using tape or screw clamp. Always duct the fan to the outside through a wall or roof cap.



NOTE: If damper detaches from unit, reattach by snapping the collar back onto the unit. It is designed to only fit one way.

SECTION 5

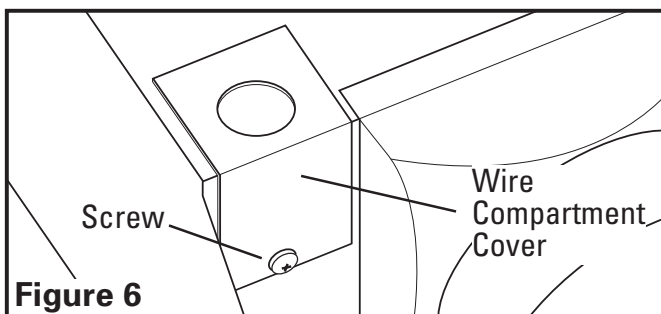
Wiring

CAUTION: MAKE SURE POWER IS SWITCHED OFF AT SERVICE PANEL BEFORE STARTING INSTALLATION.

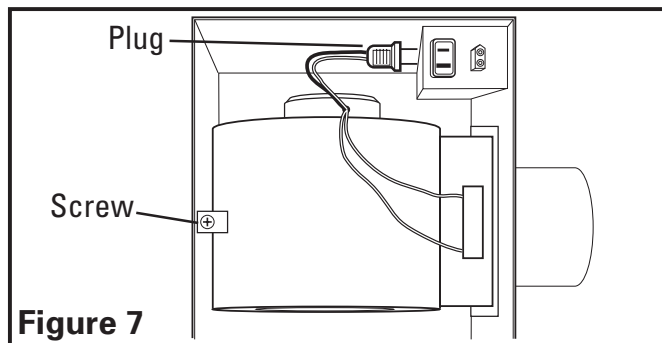
CAUTION: ALL ELECTRICAL CONNECTIONS MUST BE MADE IN ACCORDANCE WITH LOCAL CODES, ORDINANCES, OR NATIONAL ELECTRICAL CODE. IF YOU ARE UNFAMILIAR WITH METHODS OF INSTALLING ELECTRICAL WIRING, SECURE THE SERVICES OF A QUALIFIED ELECTRICIAN.

NOTE: This unit includes a side access panel for wiring that does not require the removal of the fan's blower assembly. If you choose to wire the unit from the inside, you will need to remove the blower assembly and internal wiring compartment. Both methods are equally effective.

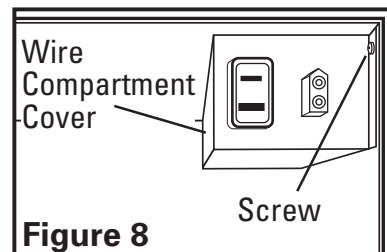
- 1a. **External Wire Compartment:** Remove the wire compartment cover screw and place cover in a secure place (**Figure 6**).



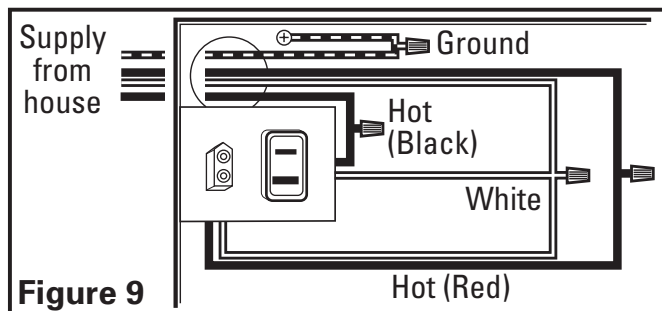
- 1b. **Internal Wire Compartment:** Remove the screw holding the blower assembly in place. Lift up on the assembly and tilt it at a 45° angle to remove from the housing (**Figure 7**). Remove the wire compartment cover screw and place the cover in a secure place (**Figure 8**).



NOTE: If the fan motor plug is connected to the fan housing receptacle, unplug so the blower assembly can be completely removed.



- 2a. **Wiring Fan/Light Independently:** Run wiring from an approved wall switch carrying the appropriate rating. One neutral (white), one ground (green or bare copper), and two hot (black lead connected to the switch). Secure the electrical wires to the housing with an approved electrical connector. Make sure you leave enough wiring in the box to make the connection to the fan's receptacle.
- 2b. From where you have access to inside the fan's junction box, connect the one white wire from the house to both the white wire from the fan's light receptacle and the white wire from the fan's exhaust receptacle. Connect the first black wire from the wall switch to the red wire from the fan's light receptacle. Connect the second black wire from the house to the fan's exhaust receptacle. Connect the ground wire from the house to the green wire from the fan's grounding screw (**Figure 9**). Use approved methods for all connections.



- 3a. **Wiring Fan/Light together:** Run wiring from an approved wall switch carrying the appropriate rating. One neutral (white), one ground (green or bare copper), and one hot (black lead connected to the switch). Secure the electrical wires to the housing with an approved electrical connector. Make sure you leave enough wiring in the box to make the connection to the fan's receptacle.
- 3b. From where you have access to inside the fan's junction box, connect the one white wire from the house to both the white wire from the fan's light receptacle and the white wire from the fan's exhaust receptacle. Connect the black wire from

the wall switch to both the red wire from the fan's light receptacle and the black wire from the fan's exhaust receptacle. Connect the ground wire from the house to the green wire from the fan's grounding screw (**Figure 10**). Use approved methods for all connections.

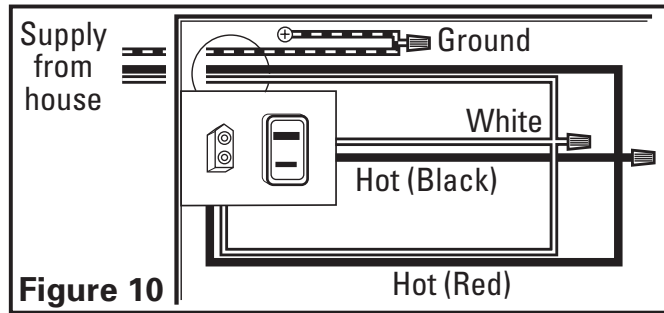


Figure 10

- Carefully tuck wire back inside wire compartment and replace wire compartment cover securing with the screw that was removed earlier.

SECTION 6 Completing the Installation

- If the fan's blower assembly was removed during the wiring process, reinstall the blower by reversing the directions in *Step 1b* in **Section 5 Wiring**.
- Insert the fan's plug into the receptacle (**Figure 7**).
- Remove glass light lens from grill by unscrewing knob at the top of lens (**Figure 11**).

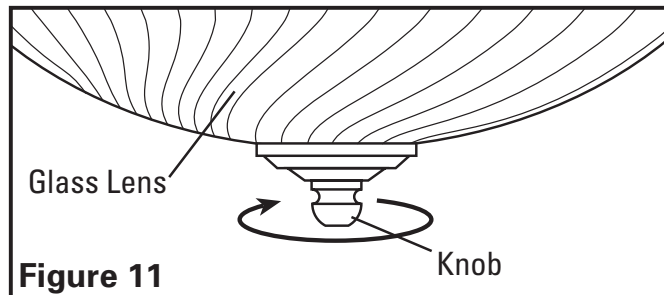


Figure 11

- Plug cord from lamp holders into the appropriate receptacle (**Figure 12**).

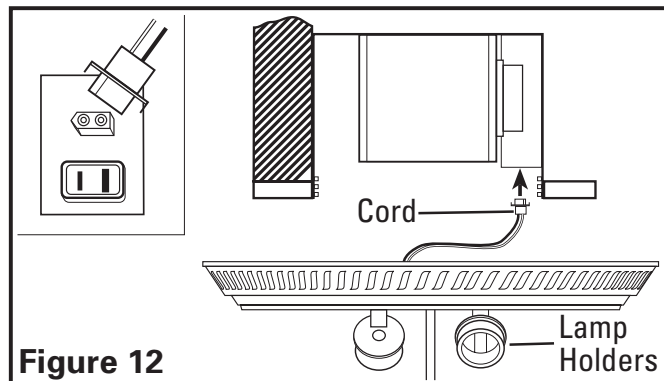


Figure 12

- Line up slots in the grill with lances on inside of housing. Insert included #8 screws through grill slots and into housing lances. Tighten both screws until the grill fits snugly to the ceiling. DO NOT OVER TIGHTEN (**Figure 13**).

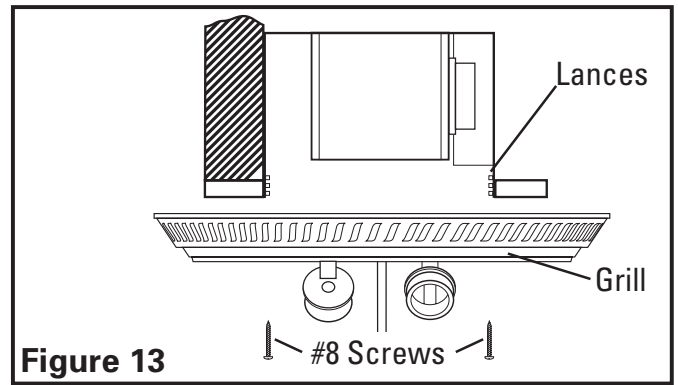


Figure 13

CAUTION: FAILURE TO SECURE THE GRILL MAY RESULT IN A RATTLING OR HUMMING NOISE.

- Install 2 - 60 watt maximum, type A19 medium base incandescent bulbs (not included).
- Reinstall the glass lens in place by sliding the hole in the lens onto the rod from the grill and securing in place with the lens knob removed in *step 3* (**Figure 14**).

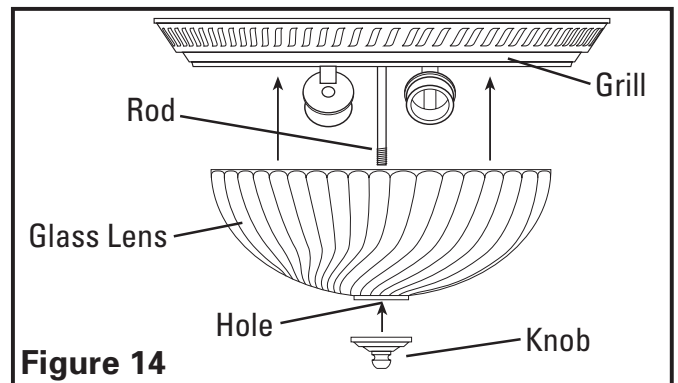


Figure 14

- Restore power and test your installation.

SECTION 7 Use and Care

CAUTION: MAKE SURE POWER IS SWITCHED OFF AT SERVICE PANEL BEFORE SERVICING THE UNIT.

- Cleaning the Grill:** Refer to instructions in **Section 6 Completing the Installation**, to remove grill and glass light lens. Use a mild detergent, such as dishwashing liquid, and dry with a soft cloth. NEVER USE ANY ABRASIVE PADS OR SCOURING POWDERS. Completely dry all parts before reinstalling. Refer to instructions in **Section 6 Completing the Installation**, to reinstall grill and glass light lens.
- Cleaning the Fan Assembly:** Wipe all parts with a dry cloth or gently vacuum the fan. NEVER IMMERSE ELECTRICAL PARTS IN WATER.

CAUTION: ALLOW BULB TO COOL BEFORE REPLACING.

Troubleshooting Guide

3. **Changing the Light Bulb:** Disconnect power to the unit. Remove glass light lens from grill by unscrewing knob at the top of lens (**Figure 11**). Replace light bulb(s) with 60 watt maximum, type A19 medium base incandescent bulb(s). Reinstall the glass lens in place by sliding the hole in the lens onto the rod from the grill and securing in place with the lens knob (**Figure 14**).

Trouble	Probable Cause	Suggested Remedy
1. Fan does not operate when the switch is on.	1a. A fuse may be blown or a circuit tripped. 1b. Connector plug from motor is not plugged in. 1c. Wiring is not connected properly. 1d. Motor has stopped operating.	1a. Replace fuse or reset circuit breaker. 1b. Turn off power to unit. Remove Grill and plug motor into receptacle in housing. Restore power to unit. 1c. Turn off power to unit. Check that all wires are connected. 1d. Replace motor.
2. Fan is operating, but air moves slower than normal.	2. Obstruction in the exhaust ducting.	2. Check for any obstructions in the ducting. The most common are bird nests in the roof cap or wall cap where the fan exhausts to the outside.
3. Fan is operating louder than normal.	3a. Motor is loose. 3b. Fan blade is hitting housing of unit.	3a. Turn off power to unit. Remove grill and check that all screws are fully tightened. Restore power to unit. 3b. Call your dealer for service.

LIMITED WARRANTY

All products manufactured by Air King Limited are warranted for one year from the date of purchase against defects in workmanship and/or material. In addition, all ventilating/exhaust fans, heaters, combination fan lights and/or heaters, and range hoods are guaranteed for five years from the date of purchase against defects in workmanship and/or material.

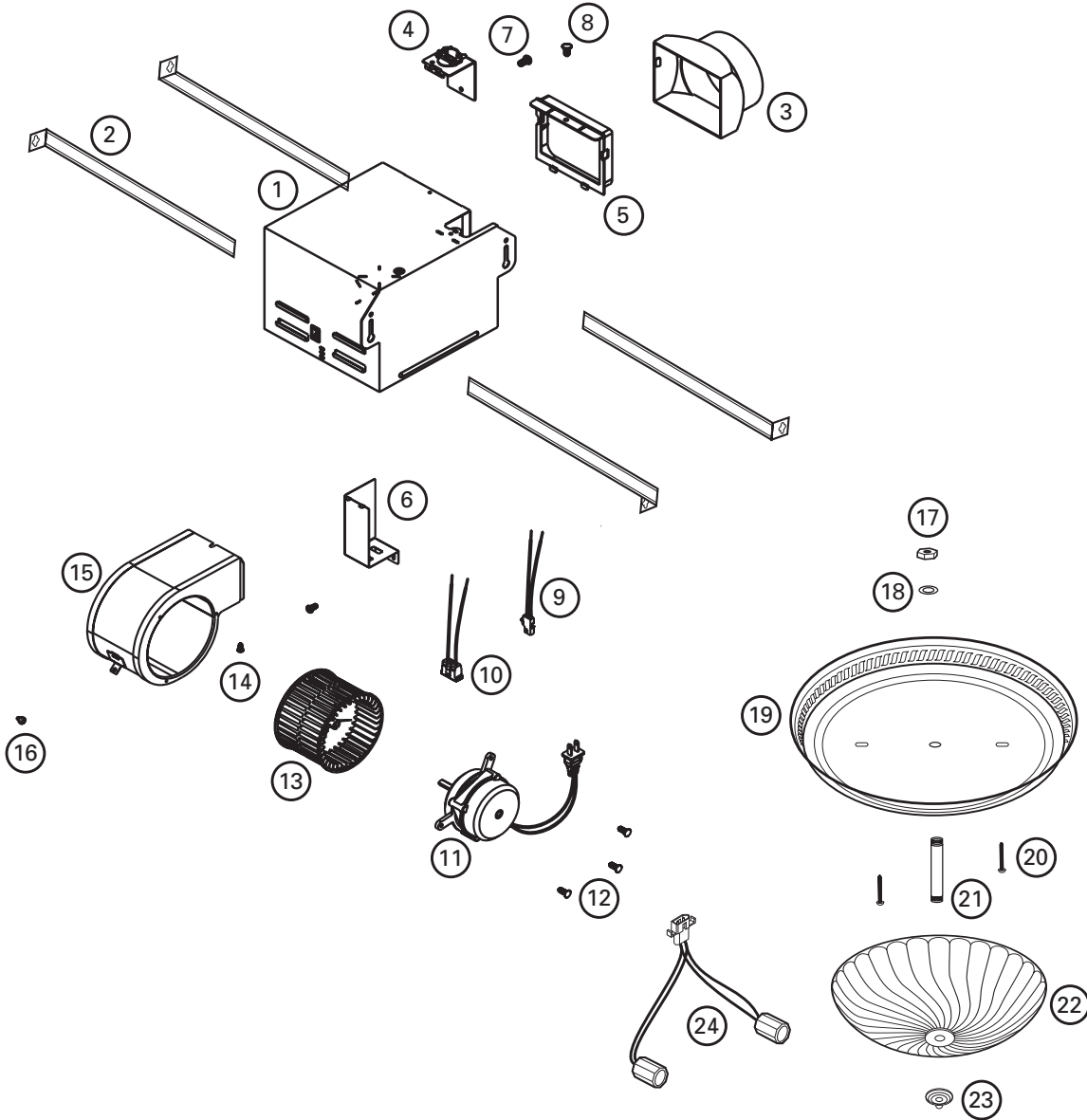
This warranty does not cover any labor or shipping costs or the cost of replacement components as part of routine maintenance such as: range hood grease filters, charcoal filters or combination charcoal/grease filters; replacement light bulbs in range hoods or bathroom fan/light/bulb heater combinations. As well, any damage or failure caused by abuse, misuse, abnormal usage, faulty installation, or improper maintenance will not be covered by this warranty.

In order to make a claim on this warranty, you must be the original consumer of the product. You will be required to present to Air King the original bill of sale showing: date of purchase, place of purchase and model purchased. Failure to meet these requirements will void your warranty.

Air King will not be held responsible for any bodily injury or damages to personal property or real estate whether caused directly or indirectly by the product. Some states and provinces do not allow the exclusion or limitation of incidental or consequential damages and some states do not allow limitations on how long an implied warranty lasts, so these exclusions or limitations may not apply to you. This warranty gives you specific legal rights and you may have other rights which vary from state to state and province to province.

210572200 Rev. A 6-06

REPLACEMENT PARTS DIAGRAM



#	Qty.	Description	Replacement Part #
1	1	Fan Housing	5S1234001
2	4	Mounting Rails	5S1299002
3	1	Collar/Damper	5S1299006
4	1	External Wire Cover	5S2299014
5	1	Gasket - Collar	5S2299015
6	1	Interior Wire Cover	5S2234001
7	1	#8 B Screw	5S1299007
8	2	#6 B Screw	5S1999010
9	1	Polarized Connector	5S1299008
10	1	Receptacle	5S1999001
11	1	Motor	5S2234002
12	3	Motor Mounting Screw	5S2234003
13	1	Blower Wheel	5S2234004
14	1	Cap Screw	5S2234005
15	1	Blower Housing	5S2234006

#	Qty.	Description	Replacement Part #
16	1	#10 B Screw	5S1299009
17	1	Nut	5S5204008
18	1	Lockwasher	5S5204007
19	1	Base - Bronze	5S5204106
	1	Base - Nickel	5S5204206
	1	Base - White	5S5204306
	1	Base - Brass	5S5204906
20	2	Mounting Screws	5S5204004
21	1	Mounting Rod	5S5204005
22	1	Glass	5S5204003
23	1	Knob - Bronze	5S5204101
	1	Knob - Nickel	5S5204201
	1	Knob - White	5S5204301
	1	Knob - Brass	5S5204901
24	1	Lamp Holder	5S5204002