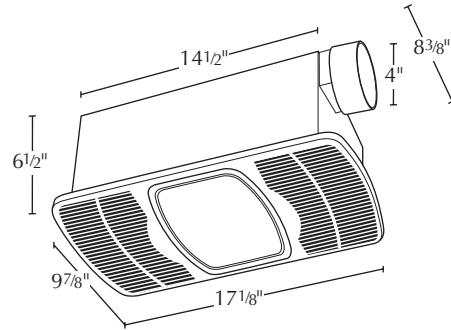


1350 watts - 70 CFM/5.0 SONES @ 0.10" wg.
HVI CERTIFIED 120 Volts, 11.2 amps, 60 hz.

- **Grill**
 White, polymeric grill (flame retardant ABS UL rated 94-5V) secured in place using 2 hex nuts that can be easily removed if necessary, dimensions - 17¹/₈" x 9⁷/₈".
- **Light Lens**
 Moonstone glass lens, installed in a flip down lens holder. Secured in place using integral tabs.
- **Blower Wheels**
 Heater blower wheel - one piece metal electronically balanced, 3¹¹/₁₆" x 2" with 28 fins.
 Ventilation blower wheel - one piece polymeric electronically balanced, 4⁵/₈" x 1" with 10 fins.
- **Motors**
 Heater motor - Heavy duty, plug in 2 pole motor. Life time lubrication, thermally protected.
 Rated 120 volts, 60 hz., 0.90 amps., 2400 rpm.
 Ventilation motor - Heavy duty, plug in 2 pole motor. Life time lubrication, thermally protected.
 Rated 120 volts, 60 hz., 1.2 amps.
- **Heater Housing**
 23 gauge galvanized steel housing. Dimensions 14¹/₂" x 8³/₈" x 6¹/₂".
- **Heating Element**
 Ultra safe ceramic heating element bonded to large heat transfer surface allows heating at very low operating temperature. Self regulating design provides 1,350 Watts – 4,600 Btu.
- **Duct Collar**
 4" round, zinc plated metal collar adapter with aluminum backdraft damper.



CUL/HVI - TYPE IC RATED

- **Ventilating Area**
 For bathrooms up to 70 sq. ft. For other rooms up to 85 sq. ft.
- **Lamping Information**
 Up to 100 watt incandescent capacity, type A lamp required.
- **Unit Mounting**
 Designed for ceilings insulated to R-40. Designed to mount in ceilings with at least 7.5" of clearance. The unit will mount between joists (with 16" centers) or butted up against a joist. The housing will mount through drywall thickness up to 3/4", with a rough in opening of 14³/₄" x 8⁵/₈".
- **Single Pack Shipping Info**
 Box Dim: 21¹/₈" x 11¹/₄" x 9³/₄"
 UPC: 0-83162901002
 Shipping Weight: 16.09 lbs.

PERFORMANCE											
	Static Pressure (inches of w.g.)								HVI Sones @ .1 SP	Fan Speed RPM	Power Watts
	0	0.05	0.1	0.15	0.2	0.25	0.3	0.35			
Air Flow - CFM	76	73	70	67	64	61	57	53	5.0	2575	54