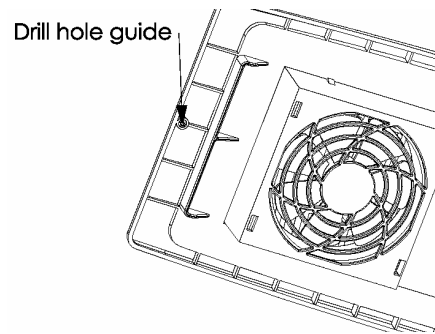


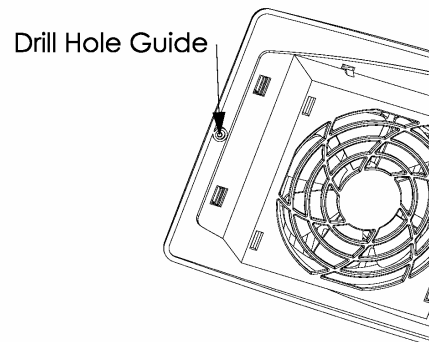
## AirFlow Breeze 4x10 and 4x12 Wall Mount Instructions

1. To wall mount your 4x10 or 4x12 you will need:
  - a. Drill
  - b. 3/16th" drill bit (recommended)
  - c. Screw Driver
  - d. Screws from existing vent
2. Turn Breeze over (bottom up)
3. Locate (2) two drill guides, (1) one on each end

### 4x12 Bottom View



### 4x10 Bottom View



4. Drill hole out from bottom using 3/16<sup>th</sup>" drill bit
5. Remove existing register.
6. Mount Breeze to wall with existing screws